



JSSG-8-M Slow Speed Wet Sharpener

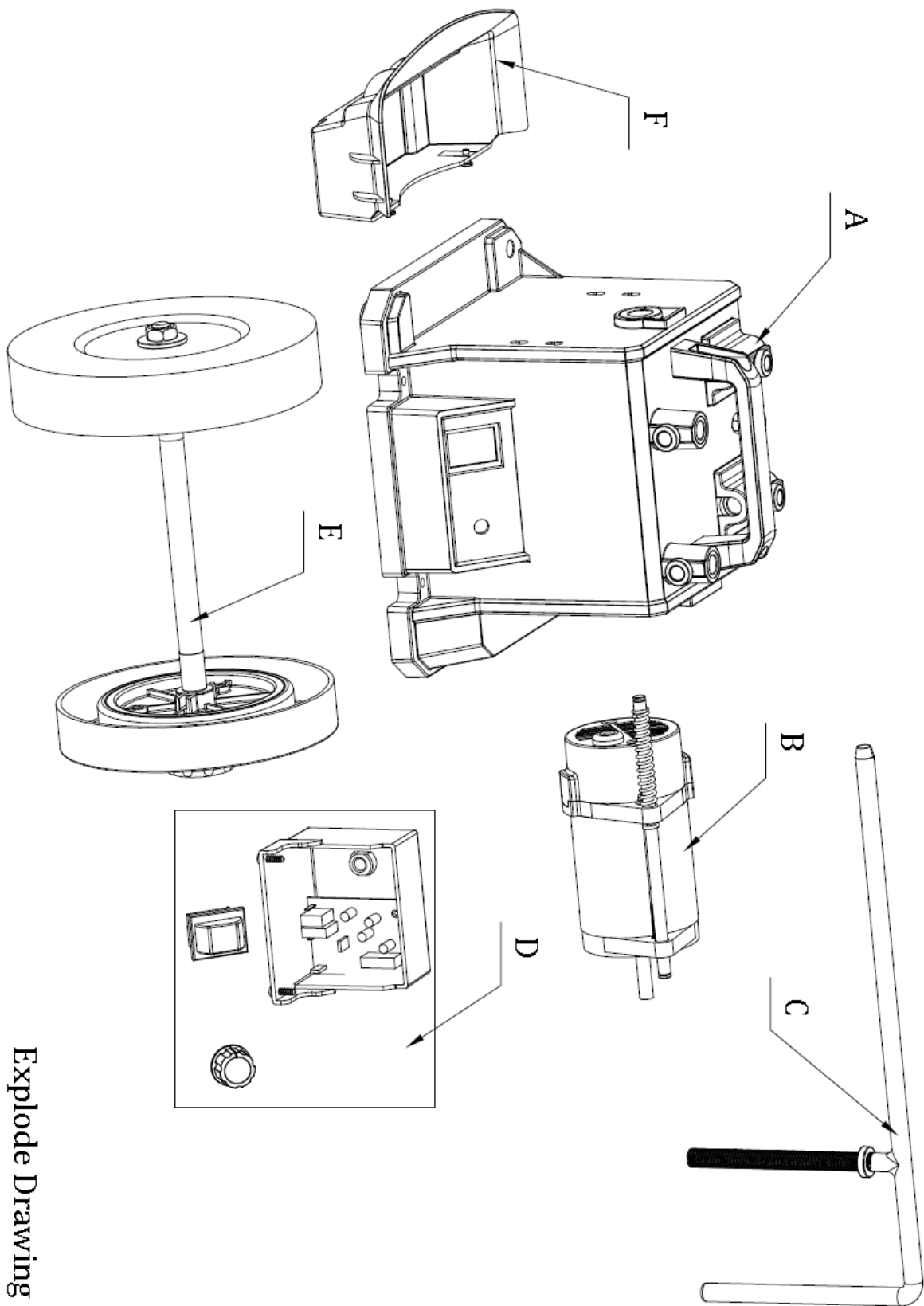
10000409M..... 1~230V, 50Hz

PARTS LIST

JPW (Tool) AG
Tämplerlistrasse 5
CH-8117 Fällanden
Switzerland
Phone +41 44 806 47 48
www.jettools.com

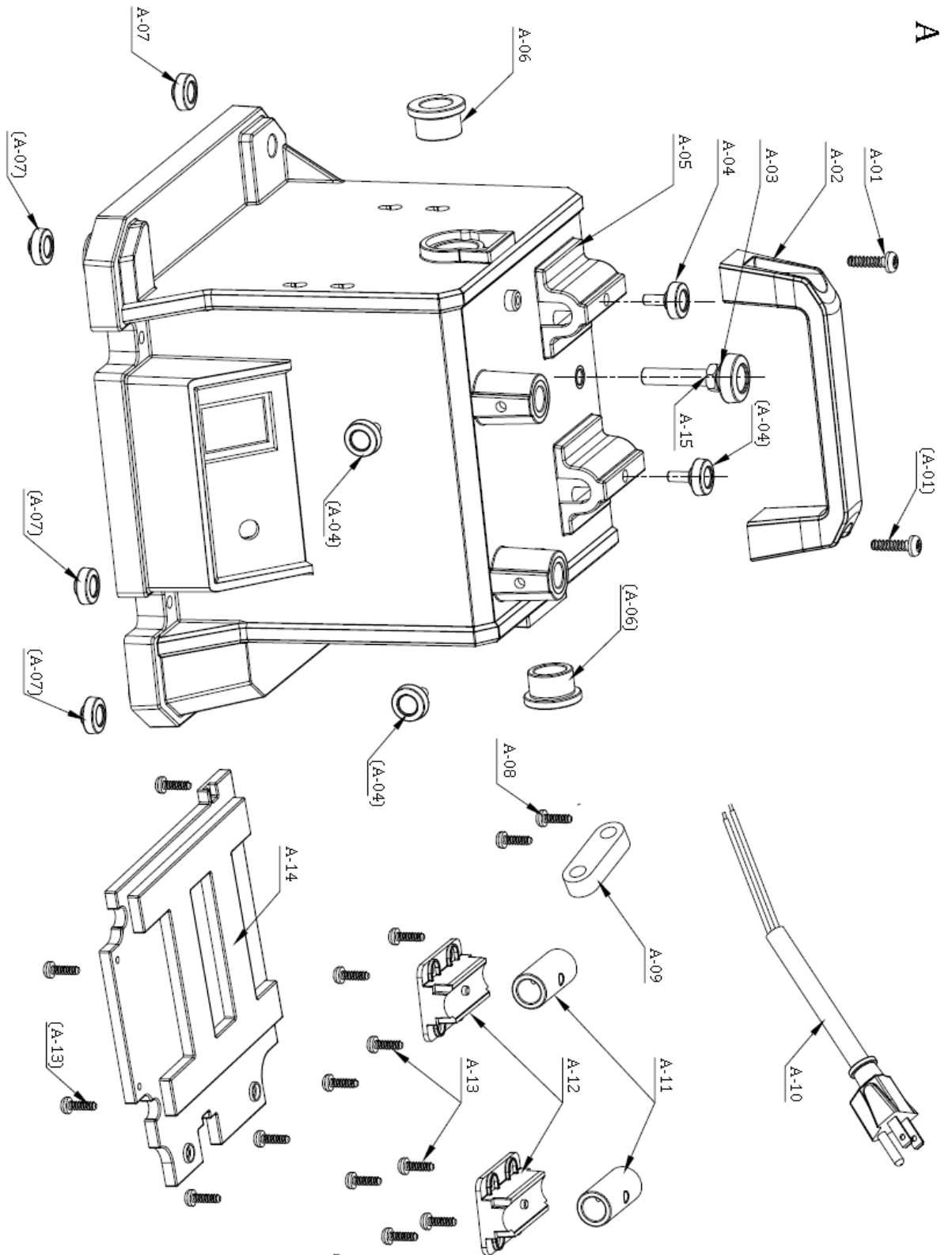


Parts breakdown for the JSSG-8-M Wet Sharpener



Explode Drawing

Parts breakdown for the JSSG-8-M Machine Body Assembly A



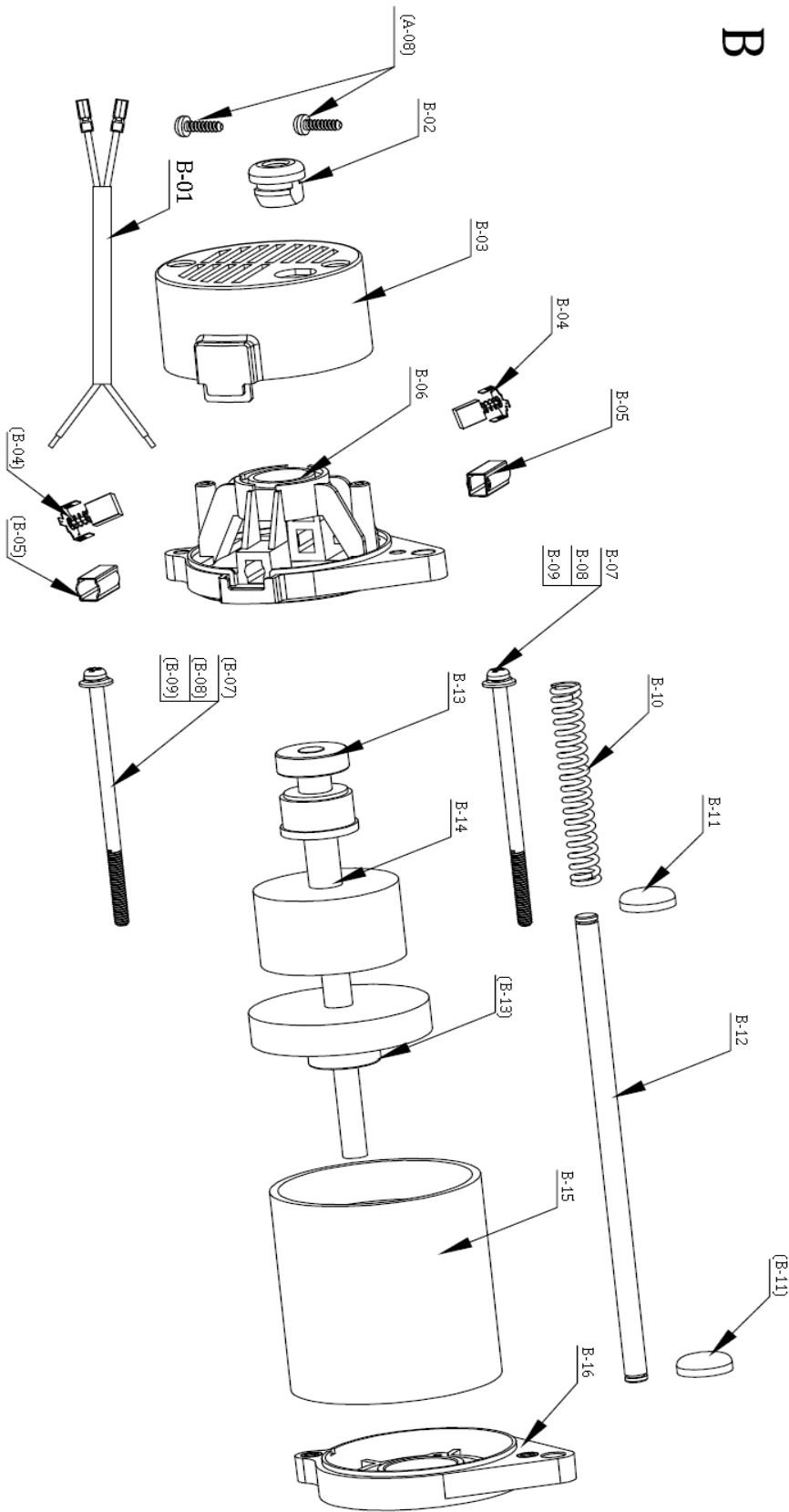
A

Parts List for the JSSG-8-M Machine Body Assembly A

| Index No. | Part No. | Description | Size | Qty. |
|-----------|-----------|-----------------------|----------------|------|
| A-01 | JSSG8-101 | Self-Tapping Screw | ST5 x 20 | 2 |
| A-02 | JSSG8-102 | Handle | | 1 |
| A-03 | JSSG8-103 | Torque Adjusting Knob | M8 x 35 | 1 |
| A-04 | JSSG8-104 | Lock Knob | M6 x 12 | 4 |
| A-05 | JSSG8-105 | Machine Body | | 1 |
| A-06 | JSSG8-106 | Slide Bearing | | 2 |
| A-07 | JSSG8-107 | Rubber Foot | | 4 |
| A-08 | JSSG8-108 | Self-Tapping Screw | ST4 x 14 | 2 |
| A-09 | JSSG8-109 | Lock Wire Plate | | 1 |
| A-10 | JSSG8-110 | Power Cord | | 1 |
| A-11 | JSSG8-111 | Tube | 18 x 12.2 x 40 | 2 |
| A-12 | JSSG8-112 | Tube Fixed Bracket | | 2 |
| A-13 | JSSG8-113 | Self-Tapping Screw | ST4 x 12 | 11 |
| A-14 | JSSG8-114 | Machine Support Plate | | 1 |
| A-15 | JSSG8-115 | Set Nut | M8 x 35 | 1 |

Parts breakdown for the JSSG-8-M Motor Assembly B

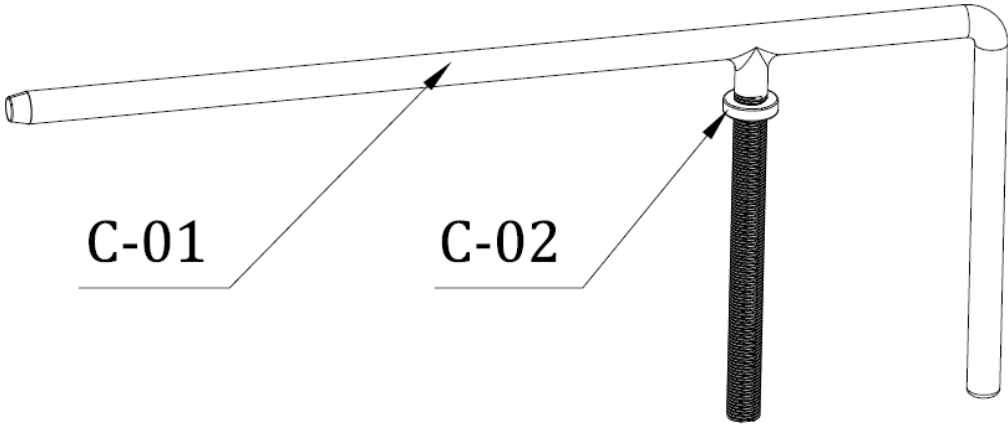
B



Parts List for the JSSG-8-M Motor Assembly B

| Index No. | Part No. | Description | Size | Qty. |
|------------------|------------------|--|----------------|-------------|
| B-01 | JSSG8-201 | Connector Wire | 430mm | 1 |
| B-02 | JSSG8-202 | Cable Retainer | | 1 |
| B-03 | JSSG8-203 | Motor Rear Bracket | | 1 |
| B-04 | JSSG8-204 | Carbon Brush | | 2 |
| B-05 | JSSG8-205 | Brush Holder | | 2 |
| B-06 | JSSG8-206 | Motor Rear Bracket Cover | | 1 |
| B-07 | JSSG8-207 | Screw | M5 x 100 | 2 |
| B-08 | JSSG8-208 | Flat Washer | Ø5 | 2 |
| B-09 | JSSG8-209 | Spring Washer | Ø5 | 2 |
| B-10 | JSSG8-210 | Spring | Ø12 x 80 | 1 |
| B-11 | JSSG8-211 | E-Clip | | 2 |
| B-12 | JSSG8-212 | Motor Shaft | | 1 |
| B-13 | JSSG8-213 | Bearing | | 2 |
| B-14 | JSSG8-214 | Motor Armature | 230V 50Hz 160W | 1 |
| B-15 | JSSG8-215 | Armature Field | | 1 |
| B-16 | JSSG8-216 | Motor Front Bracket | | 1 |
| | JSSG8-CMA | Complete Motor Assembly (B-01~B-16) | | 1 |

C

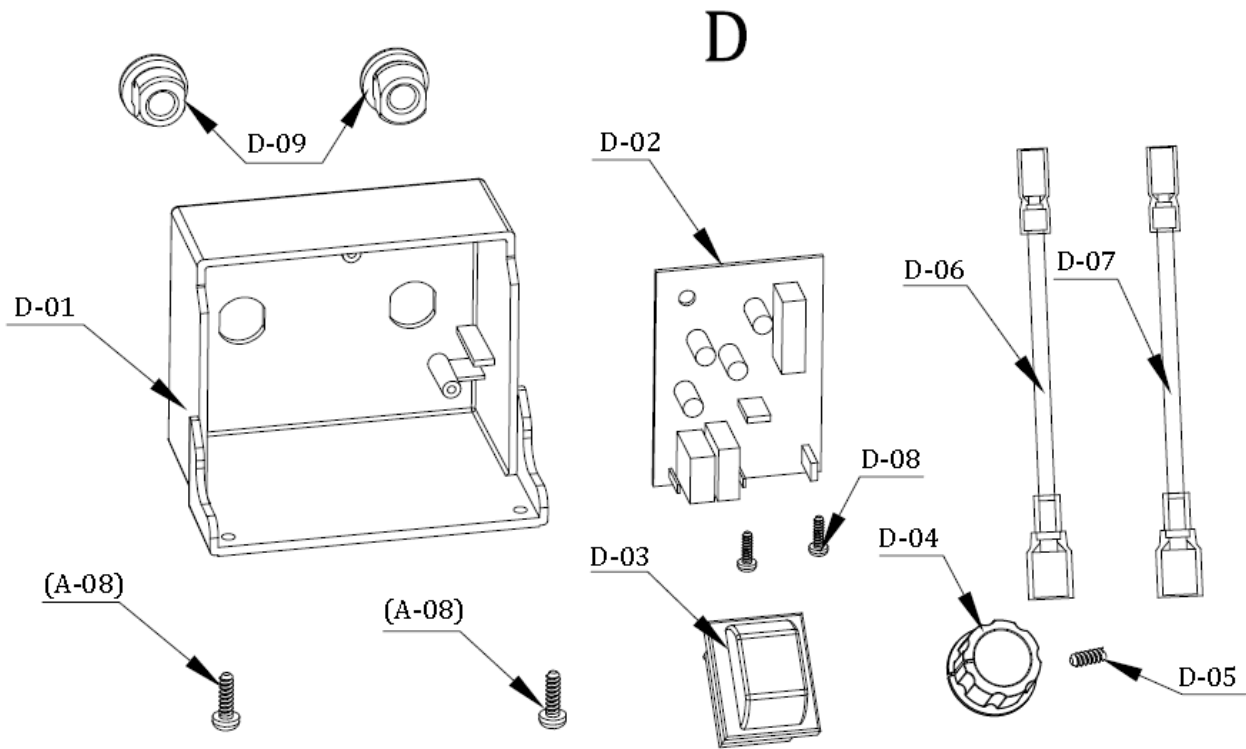


Parts List for the JSSG-8-M Support Arm C

| Index No. | Part No. | Description | Size | Qty. |
|-----------|-------------|-------------|------|------|
| C-01 | JSSG8-301 | Support Arm | | 1 |
| C-02 | 708039-102E | Set Nut | | 1 |

Parts breakdown for the JSSG-8-M

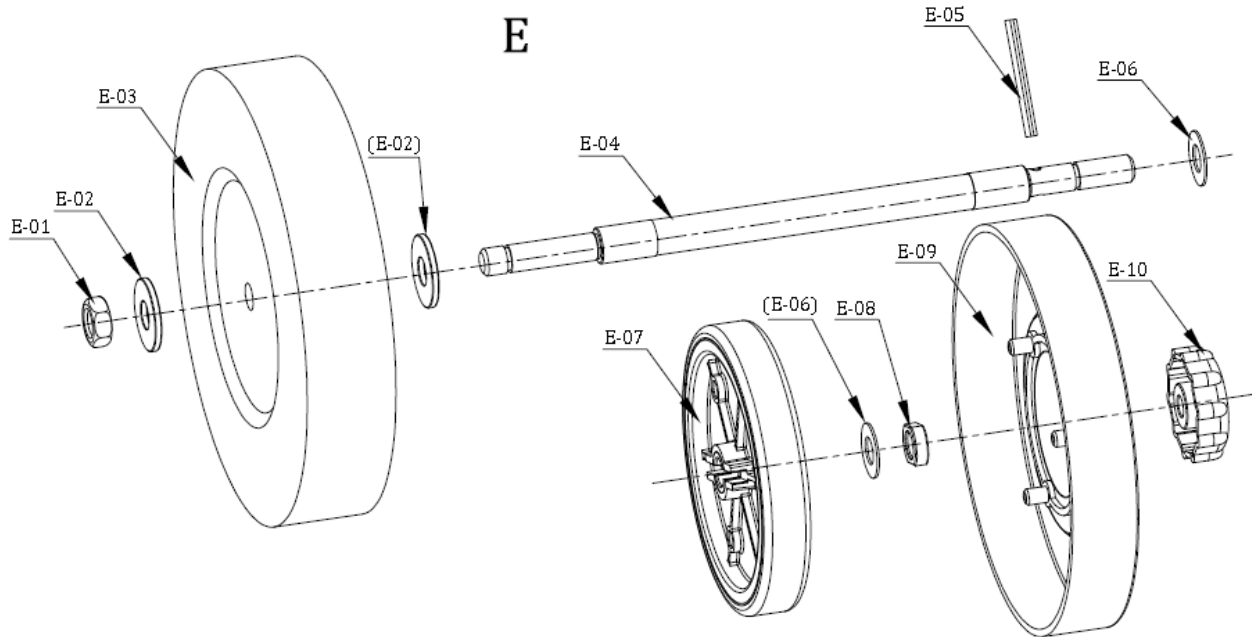
Power Switch Assembly D



Parts List for the JSSG-8-M Power Switch Assembly D

| Index No. | Part No. | Description | Size | Qty. |
|-----------|------------|--------------------|----------|------|
| D-01 | JSSG8-401 | Switch Box | | 1 |
| D-02 | JSSG8-402 | PCB Board | | 1 |
| D-03 | 708015-115 | Power Switch | | 1 |
| D-04 | JSSG8-404 | Indicator Knob | | 1 |
| D-05 | JSSG8-405 | Set Screw | M4 x 6 | 1 |
| D-06 | JSSG8-406 | Brown-Wire | 80mm | 1 |
| D-07 | JSSG8-407 | Blue-Wire | 80mm | 1 |
| D-08 | JSSG8-408 | Self-Tapping Screw | ST3 x 12 | 2 |
| D-09 | JSSG8-409 | Cable Retainer | | 1 |

Parts breakdown for the JSSG-8-M Drive Shaft Assembly E



Parts list for the JSSG-8-M Drive Shaft Assembly E

| Index No. | Part No. | Description | Size | Qty. |
|-----------|------------|-----------------------------|-----------------|------|
| E-01 | JSSG8-501 | Anti-Nut | M12 x 1.75 | 1 |
| E-02 | JSSG8-502 | Stone Washer | 3mm | 2 |
| E-03 | JSSG8-503 | Stone Wheel | 120# | 1 |
| E-04 | JSSG8-504 | Main Shaft | | 2 |
| E-05 | JSSG8-505 | Spring Pin | Ø4 x 40 | 2 |
| E-06 | JSSG8-506 | Flat Washer | Ø12 x Ø24 x 1.5 | 2 |
| E-07 | JSSG8-507 | Drive Wheel Base and Rubber | | 1 |
| E-08 | 708015-121 | Lock Nut | | 1 |
| E-09 | JSSG8-509 | Honing Wheel with Leather | | 1 |
| E-10 | 708015-117 | Honing Wheel Lock Knob | M12 | 1 |

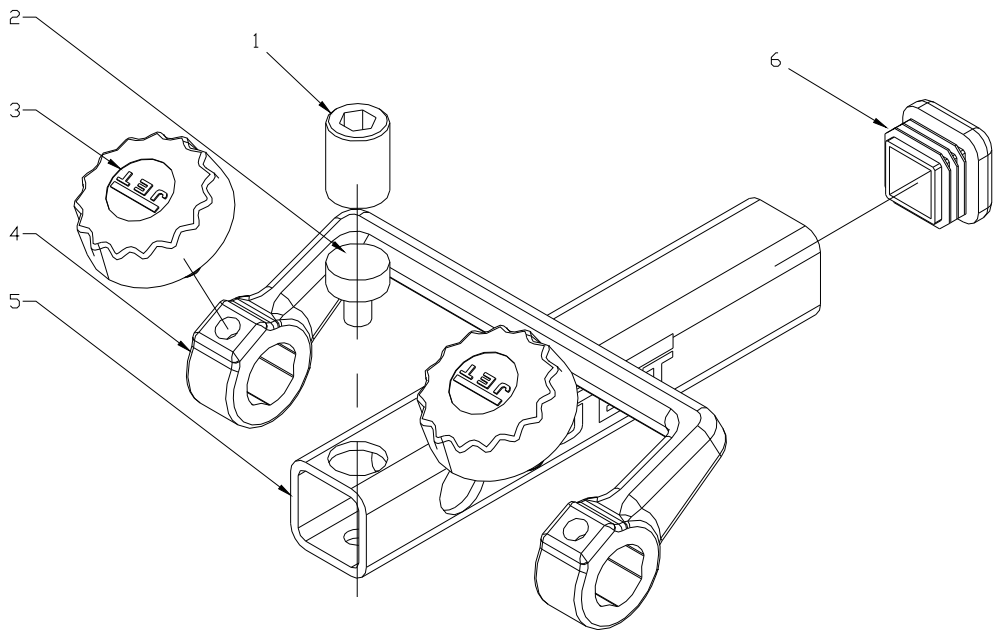
Parts list for the JSSG-8-M Water Tank Assembly F

| Index No. | Part No. | Description | Size | Qty. |
|-----------|-----------|----------------|------|------|
| F | JSSG8-601 | Water Tank | | 1 |
| | JSSG8-602 | Tank Rivet Pin | | 2 |

DT-1 Diamond Truing Tool

Stock # 708018M

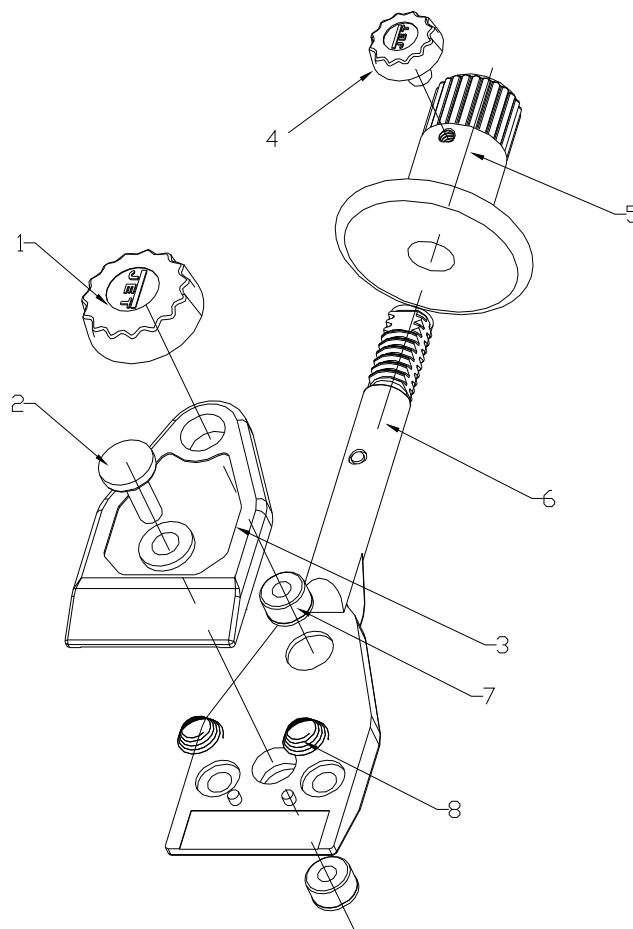
| Index No. | Part No. | Description | Size | Qty. |
|-----------|------------------|----------------------------|------|------|
| 1..... | 708018-101..... | Lock Screw..... | | 1 |
| 2..... | 708018-102..... | Diamond Tip..... | | 1 |
| 3..... | 708015-110..... | Knob w/M6 Bolt Insert..... | | 2 |
| 4..... | 708018-104E..... | Holder..... | | 1 |
| 5..... | 708018-105E..... | Square Tube..... | | 1 |
| 6..... | 708018-106..... | Tube End Cover..... | | 1 |

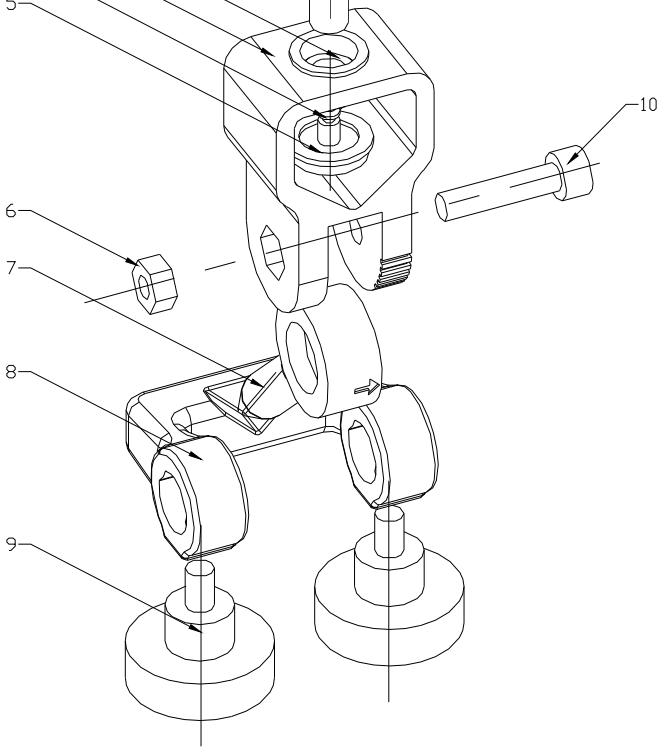


KJ-1 Knife Jig

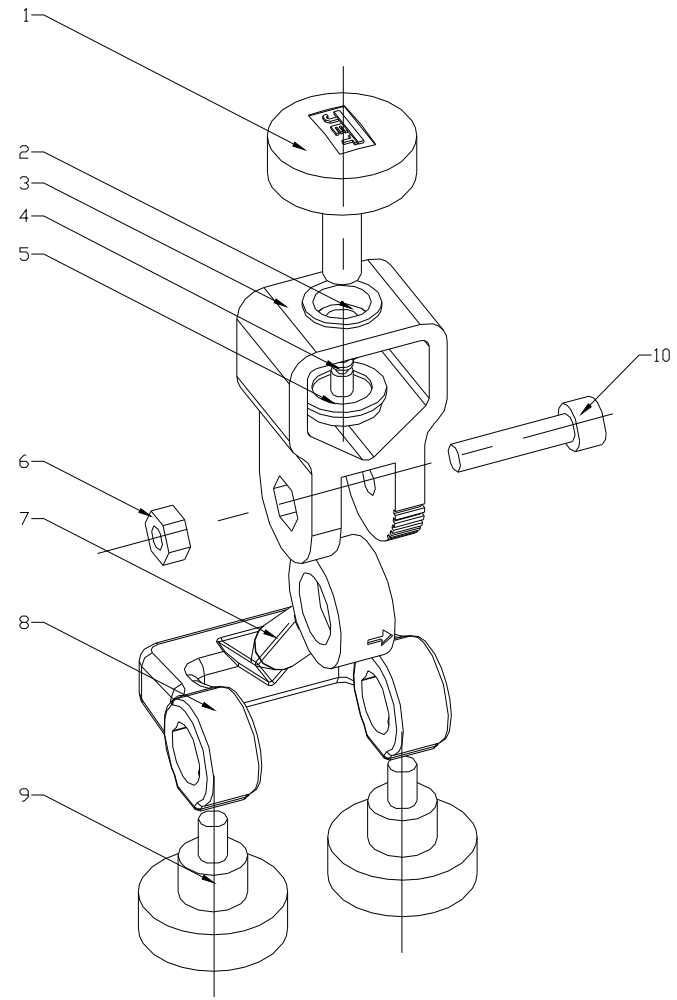
Stock # 708019M

| Index No. | Part No. | Description | Size | Qty. |
|-----------|-------------------|----------------------|------|------|
| 1..... | 708019-101..... | Knob | | 1 |
| 2..... | 708019-102..... | Adjusting Knob | | 1 |
| 3..... | 708019-103E | Top Plate | | 1 |
| 4..... | 708019-104..... | Knob | | 1 |
| 5..... | 708019-105..... | Handle | | 1 |
| 6..... | 708019-106E | Bottom Plate | | 1 |
| 7..... | 708019-107..... | Brass Insert | | 2 |
| 8..... | 708019-108..... | Cone Spring | | 2 |





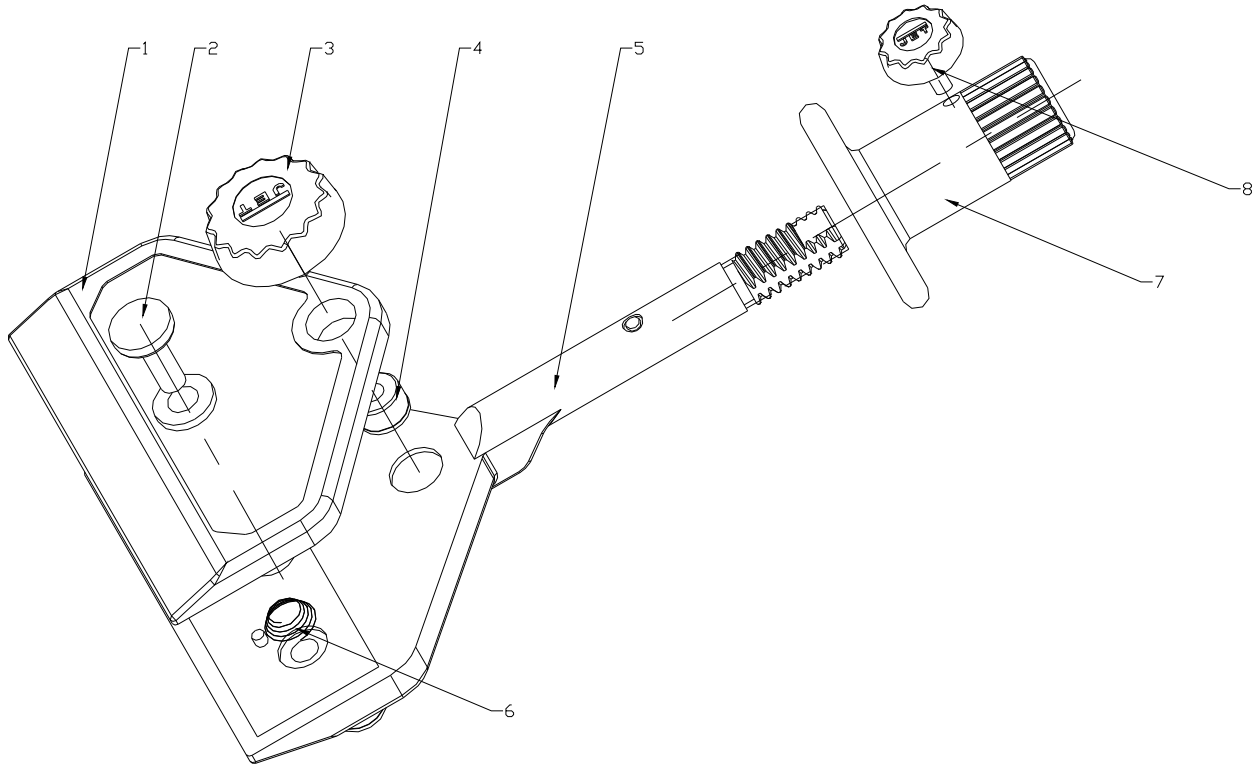
| | Size | Qty. |
|-------|-------|------|
| | | 1 |
| | | 1 |
| | | 1 |
| | | 1 |
| | | 1 |
| | M6 | 1 |
| | | 1 |
| | | 1 |
| rt | | 2 |
| ew | M6x25 | 1 |



LKJ Long Knife Jig

Stock # 708021M

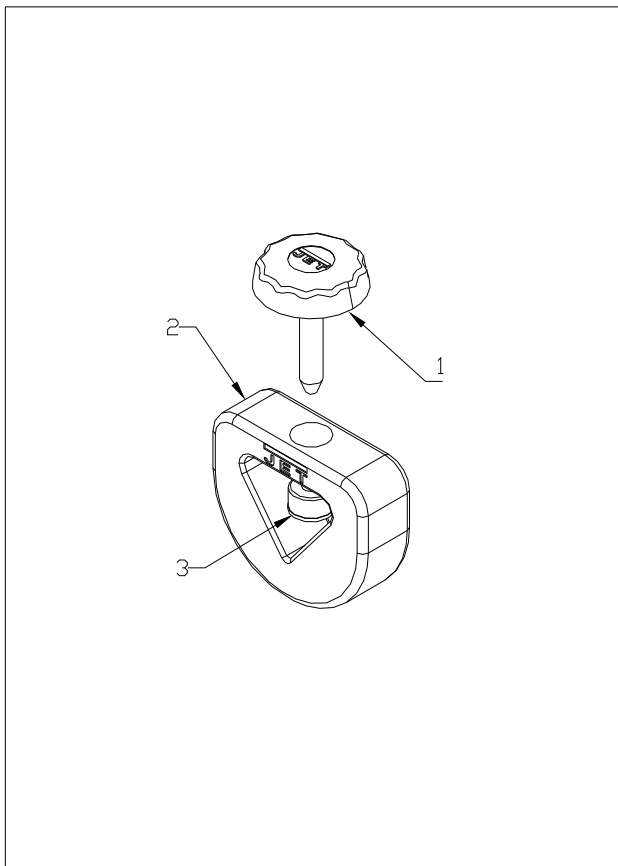
| Index No. | Part No. | Description | Size | Qty. |
|-----------|------------------|---------------------|------|------|
| 1..... | 708021-101E..... | Top Plate..... | | 1 |
| 2..... | 708019-102..... | Adjusting Knob..... | | 1 |
| 3..... | 708019-101..... | Knob..... | | 1 |
| 4..... | 708019-107..... | Brass Insert..... | | 2 |
| 5..... | 708021-105E..... | Bottom Plate..... | | 1 |
| 6..... | 708019-108..... | Cone Spring..... | | 2 |
| 7..... | 708019-105..... | Handle..... | | 1 |
| 8..... | 708019-104..... | Knob..... | | 1 |



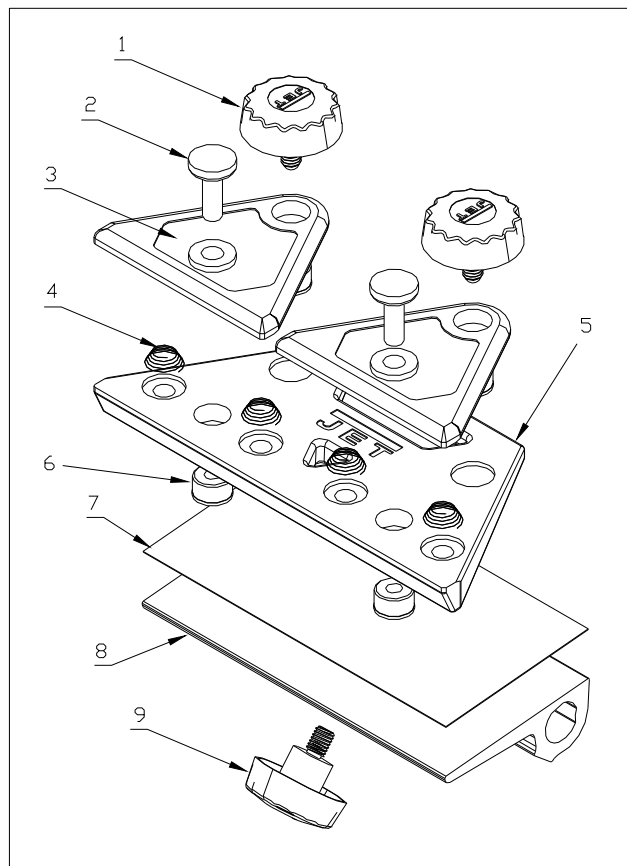
STJ-1 Carving Tool Jig

Stock # 708025M

| Index | Part No. | Description | Size | Qty. |
|--------|-------------------|--------------------|------|------|
| 1..... | 708016-101..... | Knob | | 1 |
| 2..... | 708025-102E | Body | | 1 |
| 3..... | 708025-103..... | Brass Insert | | 1 |



STJ-1 – Carving Tool Jig



SJ-1 – Scissors Jig

SJ-1 Scissors Jig

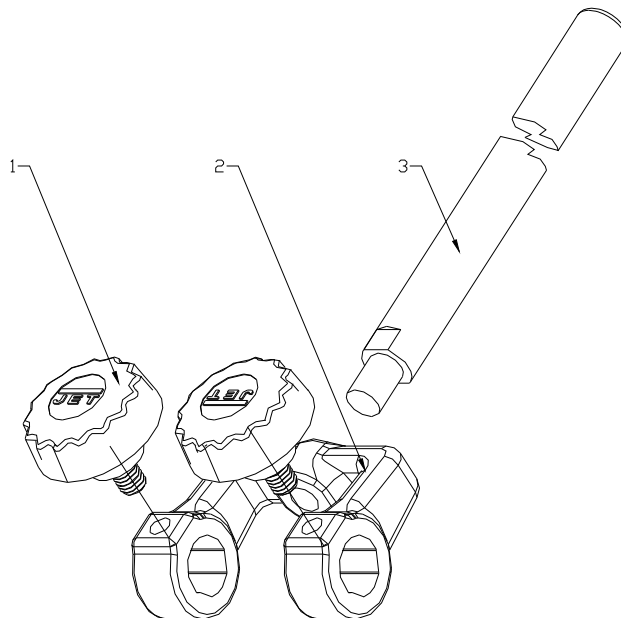
Stock # 708026M

| Index | Part No. | Description | Size | Qty. |
|--------|-------------------|----------------------------|------|------|
| 1..... | 708019-101..... | Knob | | 2 |
| 2..... | 708019-102..... | Adjusting Knob | | 2 |
| 3..... | 708026-10E | Top Plate | | 2 |
| 4..... | 708019-108..... | Cone Spring | | 4 |
| 5..... | 708026-105E | Bottom Plate..... | | 1 |
| 6..... | 708019-107..... | Brass Insert | | 4 |
| 7..... | 708026-107..... | Plastic Slide Sheet | | 1 |
| 8..... | 708026-108..... | Scissors Jig Rest..... | | 1 |
| 9..... | 708015-110..... | Knob w/M6 Bolt Insert..... | | 1 |

SWGJ-1 Side Wheel Grinding Jig

Stock # 708027M

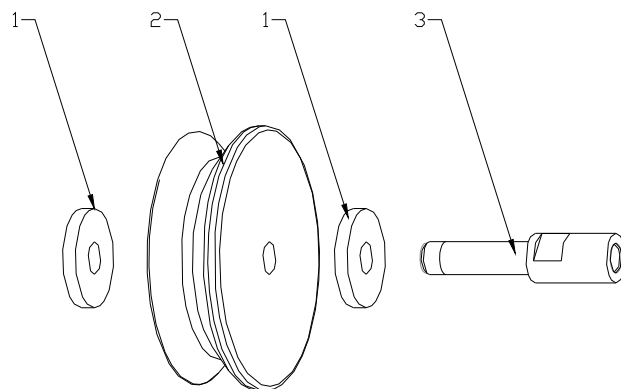
| Index | Part No. | Description | Size | Qty. |
|--------|------------------|----------------------------|------|------|
| 1..... | 708015-110..... | Knob w/M6 Bolt Insert..... | | 2 |
| 2..... | 708027-102E..... | Holder..... | | 1 |
| 3..... | 708027-103E..... | Bar..... | | 1 |



PLH-1 Profiled Leather Honing Wheel

Stock # 708028M

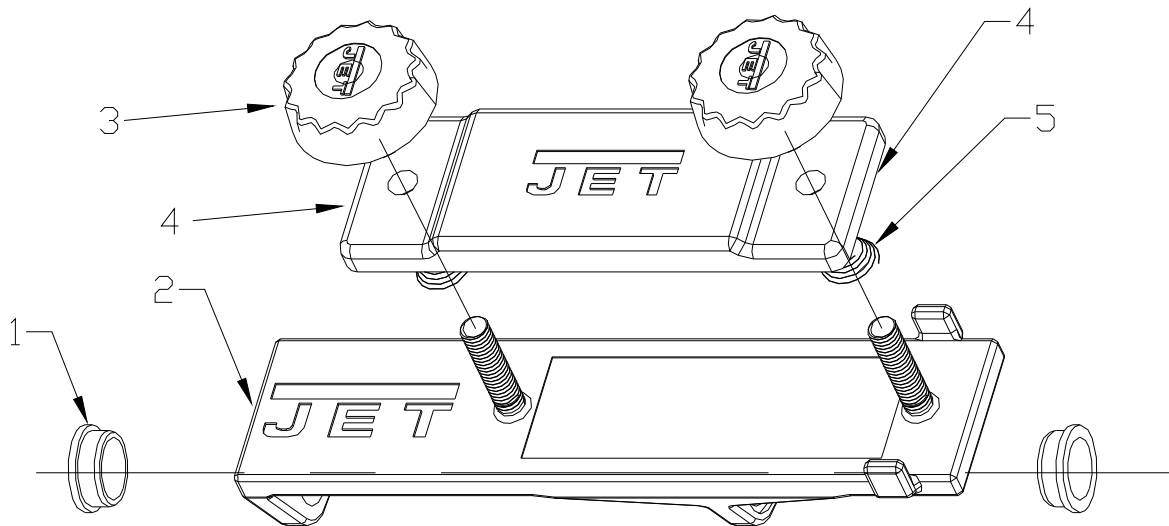
| Index | Part No. | Description | Size | Qty. |
|--------|-----------------|--------------------|------|------|
| 1..... | 708015-144..... | Washer..... | | 2 |
| 2..... | 708028-102..... | Leather Wheel..... | | 1 |
| 3..... | 708028-103..... | Shaft..... | | 1 |



SEJ-1 Straight Edge Jig

Stock # 708029M

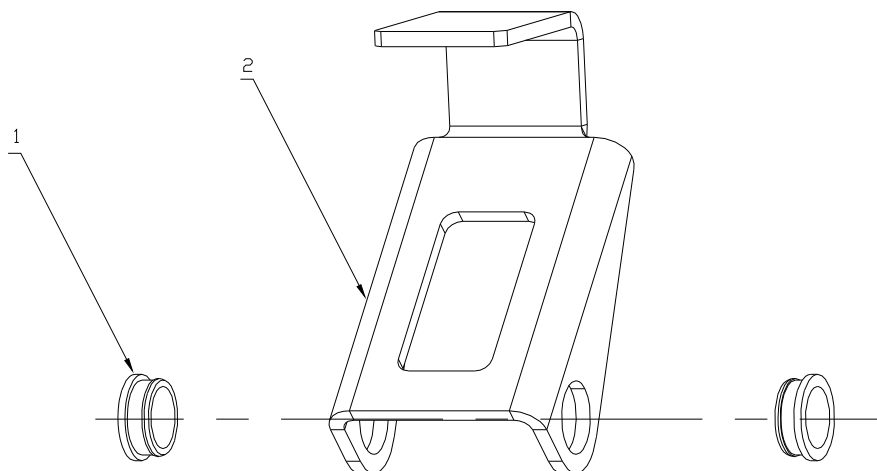
| Index | Part No. | Description | Size | Qty. |
|--------|------------------|-------------------|------|------|
| 1..... | 708029-101..... | Bushing | | 2 |
| 2..... | 708029-102E..... | Bottom Plate..... | | 1 |
| 3..... | 708029-103..... | Knob | | 2 |
| 4..... | 708029-104E..... | Top Plate | | 1 |
| 5..... | 708019-108..... | Cone Spring | | 2 |



AJ-1 Axe Jig

Stock # 708031M

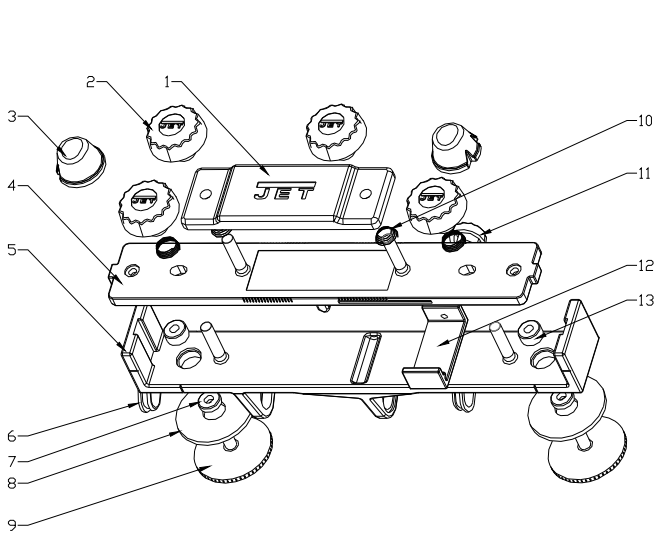
| Index | Part No. | Description | Size | Qty. |
|--------|-----------------|-----------------|------|------|
| 1..... | 708029-101..... | Bushing | | 2 |
| 2..... | 708031-102..... | Axe Holder..... | | 1 |



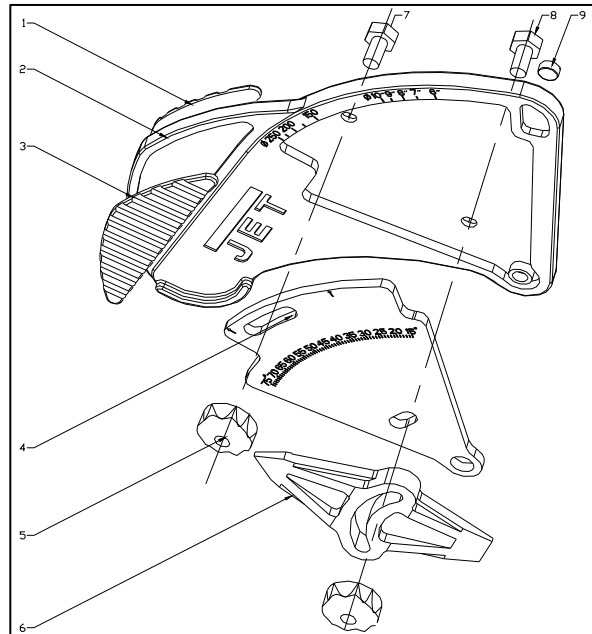
PCJ-1 Plane Camber Jig

Stock # 708032M

| Index | Part No. | Description | Size | Qty. |
|-------|-------------|-------------------------|------|------|
| 1 | 708029-104E | Top Plate | | 1 |
| 2 | 708029-103 | Knob | | 4 |
| 3 | 708032-103 | Rubber Rest | | 2 |
| 4 | 708032-104E | Middle Plate | | 1 |
| 5 | 708032-105E | Bottom Plate | | 1 |
| 6 | 708029-101 | Bushing | | 2 |
| 7 | 708032-107 | Lock Plate Brass Insert | | 2 |
| 8 | 708032-108E | Lock Plate | | 2 |
| 9 | 708032-109E | Adjusting Screw | | 2 |
| 10 | 708019-108 | Cone Spring | | 4 |
| 11 | 708032-111 | Knob | | 1 |
| 12 | 708032-112 | Slide Plate | | 1 |
| 13 | 708032-113 | Brass Insert | | 2 |



PCJ-1 Plane Camber Jig



AMD-1 Angle Measuring Device

AMD-1 Angle Measuring Device

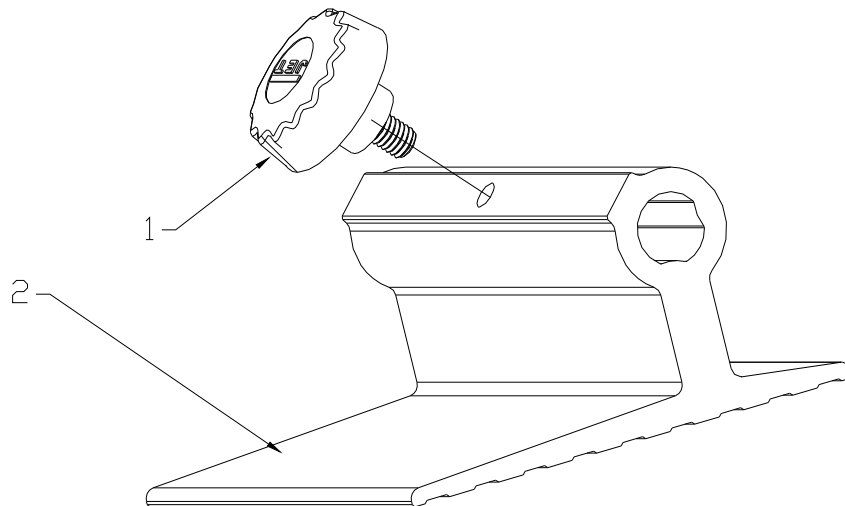
Stock # 708033M

| Index | Part No. | Description | Size | Qty. |
|-------|------------|----------------------|-------|------|
| 1 | 708033-101 | Bottom Rubber Grip | | 1 |
| 2 | 708033-102 | Angle Measuring Body | | 1 |
| 3 | 708033-103 | Top Rubber Grip | | 1 |
| 4 | 708033-104 | Angle Measuring Dial | | 1 |
| 5 | 708033-105 | Knob | | 2 |
| 6 | 708033-106 | Indicator | | 1 |
| 7 | 708033-107 | Hex Bolt | M4x8 | 1 |
| 8 | 708033-108 | Hex Bolt | M4x14 | 1 |
| 9 | 708033-109 | Cylinder Magnet | | 1 |

TR-1 Tool Rest

Stock # 708034M

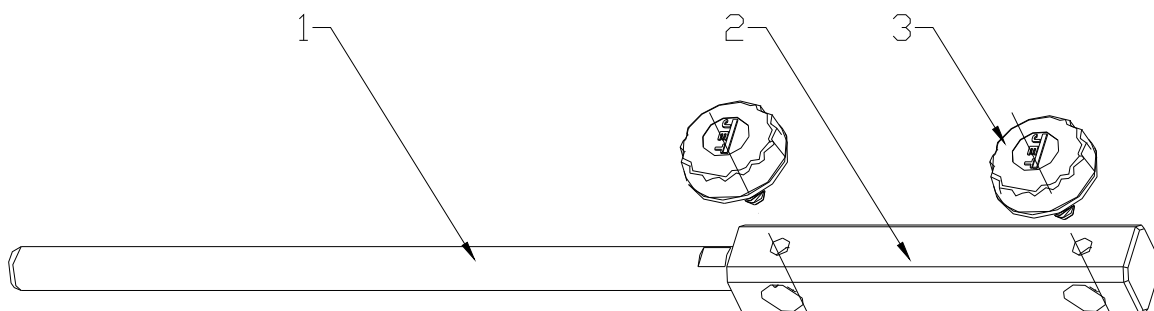
| Index | Part No. | Description | Size | Qty. |
|-------|------------|-----------------------|------|------|
| 1 | 708015-110 | Knob w/M6 Bolt Insert | | 1 |
| 2 | 708034-102 | Tool Rest | | 1 |



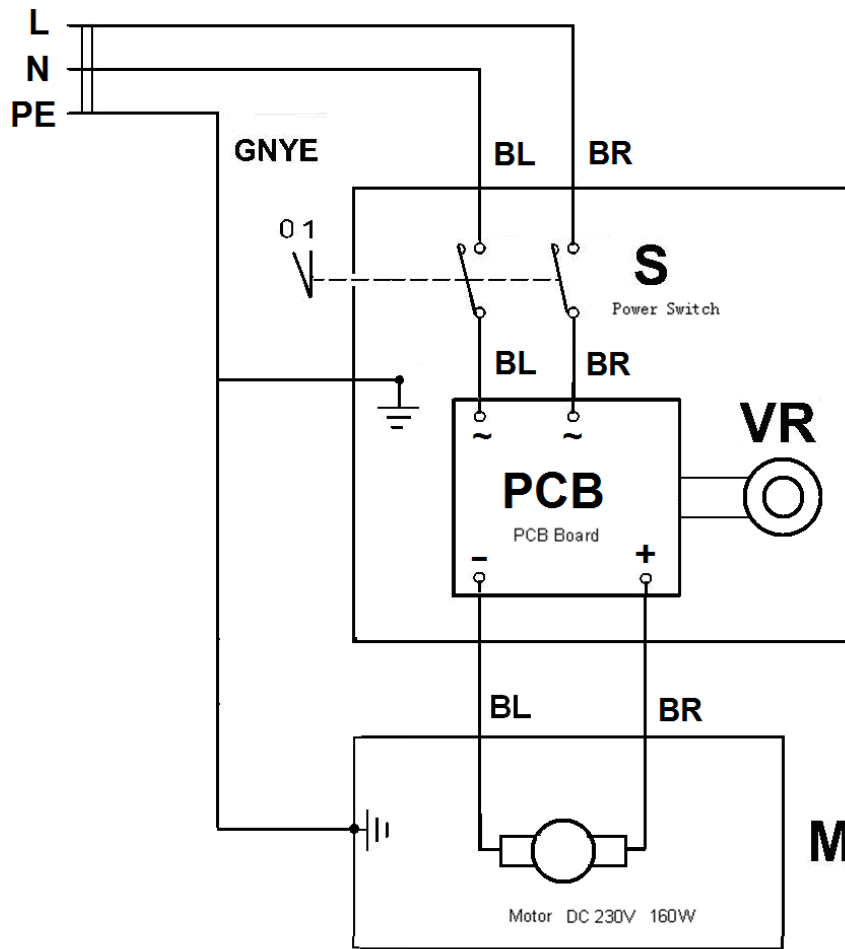
SAE-1 Support Arm Extension Assembly

Stock # 708040M

| Index | Part No. | Description | Size | Qty. |
|-------|-------------|-----------------------|------|------|
| 1 | 708040-101E | Extension Bar | | 1 |
| 2 | 708040-102E | Extension Bar Base | | 1 |
| 3 | 708015-110 | Knob w/M6 Bolt Insert | | 2 |



JSSG-8-M 10000409M 1~230V, PE, 50Hz



Electric Components:

| Symbol | Description | Type No. (Brand) | Specification |
|------------|------------------------------|------------------|---|
| M | Main Motor | | DC 230V 160W |
| S | Power Switch | | ~230V |
| PCB | Circuit board | | |
| VR | Variable resistor | | |
| | power cable with molded plug | | H05RN-F 3Gx0.75mm ² VDE Plug 16A/250V |

| Symbol | colour of strands | Litzenfarben | couleur des cordons |
|-------------|-------------------|--------------|---------------------|
| BL | blue | blau | bleu |
| BR | brown | braun | brun |
| GNYE | green-yellow | grün-gelb | vert-jaune |