

CE-Conformity Declaration

Product: Scroll Saw

JSS-16

Stock Number: 10000808M

Brand: JET

Manufacturer:

Walter Meier (Tool) AG, Tämperlistrasse 5, CH-8117 Fällanden, Switzerland

On our own responsibility we hereby declare that this product complies
with the regulations

- * 2006/42/EC Machinery Directive
- * 2004/108/EC EMC Directive (Electro Magnetic Compatibility)
- * 2006/95/EC Low Voltage Directive
- * 2002/95/EC RoHS Directive (Reduction of Hazardous Substances)

designed with consideration of the standards

** EN 61029-1, EN ISO 12100-1, EN ISO 12100-2, EN ISO 13857, EN 349, EN 953,
EN ISO 11202, EN 55014-1, EN 55014-2, EN 61000-3-2, EN 61000-3-3, EN ISO 14121-1

Technical file compiled by: Bruno Bergmann, Product Management



2010-08-20 Carl Müller, General Manager

Walter Meier (Tool) AG, Tämperlistrasse 5, CH-8117 Fällanden, Switzerland

GB - ENGLISH

Operating Instructions

Dear Customer,

Many thanks for the confidence you have shown in us with the purchase of your new JET-machine. This manual has been prepared for the owner and operators of a JET JSS-16 scroll saw to promote safety during installation, operation and maintenance procedures. Please read and understand the information contained in these operating instructions and the accompanying documents. To obtain maximum life and efficiency from your machine, and to use the machine safely, read this manual thoroughly and follow instructions carefully.

...Table of Contents

1. Declaration of conformity

2. Warranty

3. Safety

Authorized use

General safety notes

Remaining hazards

4. Machine specifications

Technical data

Noise emission

Contents of delivery

Description of the machine

5. Transport and start up

Transport and installation

Assembly

Dust connection

Mains connection

Starting operation

6. Machine operation

7. Setup and adjustments

Changing the sawblade

8. Maintenance and inspection

9. Troubleshooting

10. Environmental protection

11. Available accessories

1. Declaration of conformity

On our own responsibility we hereby declare that this product complies with the regulations* listed on page 2. Designed in consideration with the standards**.

2. Warranty

The Seller guarantees that the supplied product is free from material defects and manufacturing faults. This warranty does not cover any defects which are caused, either directly or indirectly, by incorrect use, carelessness, accidental damage, repair, inadequate maintenance or cleaning and normal wear and tear.

Guarantee and/or warranty claims must be made within twelve months from the date of purchase (date of

invoice). Any further claims shall be excluded.

This warranty includes all guarantee obligations of the Seller and replaces all previous declarations and agreements concerning warranties.

The warranty period is valid for eight hours of daily use. If this is exceeded, the warranty period shall be reduced in proportion to the excess use, but to no less than three months.

Returning rejected goods requires the prior express consent of the Seller and is at the Buyer's risk and expense.

Further warranty details can be found in the General Terms and Conditions (GTC). The GTC can be viewed at www.jettools.com or can be sent by post upon request.

The Seller reserves the right to make changes to the product and accessories at any time.

3. Safety

3.1 Authorized use

This machine is designed for sawing wood, wood derived materials as well as similar to be machined hard plastics only.

Machining of other materials is not permitted and may be carried out in specific cases only after consulting with the manufacturer.

The workpiece must allow to safely be loaded, supported and guided.

The proper use also includes compliance with the operating and maintenance instructions given in this manual.

The machine must be operated only by persons familiar with its operation and maintenance and who are familiar with its hazards.

The required minimum age must be observed

The machine must only be used in a technically perfect condition
When working on the machine, all

safety mechanisms and covers must be mounted.

In addition to the safety requirements contained in these operating instructions and your country's applicable regulations, you should observe the generally recognized technical rules concerning the operation of woodworking machines.

Any other use exceeds authorization. In the event of unauthorized use of the machine, the manufacturer renounces all liability and the responsibility is transferred exclusively to the operator.

3.2 General safety notes

Woodworking machines can be dangerous if not used properly. Therefore the appropriate general technical rules as well as the following notes must be observed.

Read and understand the entire instruction manual before attempting assembly or operation.

Keep this operating instruction close by the machine, protected from dirt and humidity, and pass it over to the new owner if you part with the tool.

No changes to the machine may be made.

Daily inspect the function and existence of the safety appliances before you start the machine. Do not attempt operation in this case, protect the machine by unplugging the mains cord.

Remove all loose clothing and confine long hair.

Before operating the machine, remove tie, rings, watches, other jewellery, and roll up sleeves above the elbows.

During machine operation the transparent sawguard must always be lowered to the workpiece

Insure that the workpiece does not roll when cutting round pieces.

Use suitable table extensions and supporting aids for difficult to handle workpieces.

Never cut pieces that are too small.

During cutting operation the workpiece must firmly be pressed against the table surface.

Do not perform any operation freehand.

Remove cut and jammed workpieces only when motor is turned off and the machine is at a complete standstill.

Do not reach under the scroll saw table when the motor is running.

Install the machine so that there is sufficient space for safe operation and workpiece handling.

Keep work area well lighted.

The machine is designed to operate in closed rooms and must be placed stable on firm and levelled ground.

Make sure that the power cord does not impede work and cause people to trip.

Keep the floor around the machine clean and free of scrap material, oil and grease.

Stay alert!
Give your work undivided attention.
Use common sense.

Keep an ergonomic body position.
Maintain a balanced stance at all times.

Do not operate the machine when you are tired.
Do not operate the machine under the influence of drugs, alcohol or any medication. Be aware that medication can change your behaviour.

Keep children and visitors a safe distance from the work area.

Never reach into the machine while it is operating or running down.

Never leave a running machine unattended. Before you leave the workplace switch off the machine.

Do not operate the electric tool near inflammable liquids or gases. Normal brushfire might ignite.

Observe the fire fighting and fire alert options, for example the fire extinguisher operation and place.

Do not use the machine in a dump environment and do not expose it to rain.

Wood dust is explosive and can also represent a risk to health.
Dust from some tropical woods in

particular, and from hardwoods like beech and oak, is classified as a carcinogenic substance.
Always use a suitable dust extraction device

Before machining, remove any nails and other foreign bodies from the workpiece.

Specifications regarding the maximum or minimum size of the workpiece must be observed.

Do not force the power tool. It will do a better and safer job and give you much better service if it is used at the rate for which it was designed.

Never operate with the guards not in place – serious risk of injury!

Connection and repair work on the electrical installation may be carried out by a qualified electrician only

Always unwind any extension cords fully.

Damaged extension cords replace immediately.

Do not use the power tool if the ON/OFF switch does not turn the power tool ON and OFF.

Make all machine adjustments or maintenance with the machine unplugged from the power source.

Remove defective saw blades immediately.

3.3 Remaining hazards

When using the machine according to regulations some remaining hazards may still exist

The moving saw blade in the work area can cause injury.

Broken saw blades can cause injuries.

Thrown workpieces can lead to injury

Wood chips and sawdust can be health hazards. Be sure to wear personal protection gear such as safety goggles ear- and dust protection.
Use a suitable dust exhaust system.

The use of incorrect mains supply or a damaged power cord can lead to injuries caused by electricity.

4. Machine specifications

4.1 Technical data

Saw blade length, pin type	127mm
Blade stroke	15mm
Blade speed	400~1600 SPM

Max cutting height at 90°	50mm
Table size	410x253mm
Table tilt	0°/45°left
Throat	406mm
Dust port diameter	35mm

Overall (LxWxH)	620x285x325mm
Weight	11 kg

Mains	230V ~1L/N/PE	50-60Hz
Motor power		90W
Reference current		0,6 A
Extension cord	H05VV-F	3G1mm²
Installation fuse protection		10A

4.2 Noise emission

(Inspection tolerance 4 dB)

Acoustic power level (according to EN ISO 3746):	
Idling	LwA 79,2 dB(A)

Acoustic pressure level (according to EN ISO 11202):	
Idling	LpA 72,1 dB(A)

The specified values are emission levels and are not necessarily to be seen as safe operating levels. This information is intended to allow the user to make a better estimation of the hazards and risks involved.

4.3 Content of delivery

- 1 Scroll saw
- 1 Transparent blade guard
- 1 Air blower
- 1 Allen key 4mm
- 1 Allen key 3mm
- Set of 5 saw blades
- Operating manual
- Spare parts list

4.4 Scroll saw description

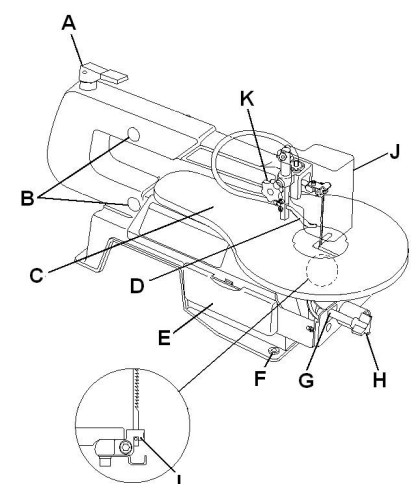


Fig 1

- A....Blade tension knob
- B....Bearing covers
- C....Table
- D....Sawdust blower
- E.....Blade and key storage area
- F....Mounting holes
- G....Bevel scale
- H....Bevel lock knob
- I.....Lower blade holder
- J....Transparent sawguard
- K....Blade guard lock knob

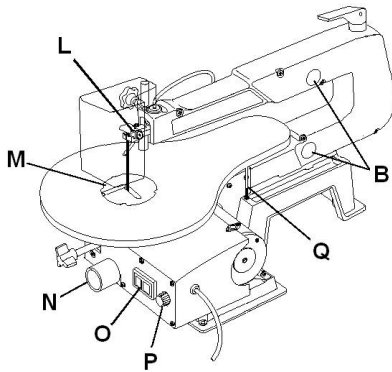


Fig 2

- L.....Upper blade holder
- M....Table insert
- N....Dust connection port
- O....ON/OFF button
- P....Variable speed control knob
- Q....Table 90° adjusting screw

5. Transport and start up

5.1 Transport and installation

The machine is designed to operate in closed rooms and must be placed stable on firm and levelled surface. The machine can be bolted down if required.

For packing reasons the machine is not completely assembled.

5.2 Assembly

If you notice any transport damage while unpacking, notify your supplier immediately. Do not operate the machine!

Dispose of the packing in an environmentally friendly manner.

Clean all rust protected surfaces with a mild solvent.

Mounting the sawdust blower:

Mount the sawdust blower (D, Fig 3) and point it towards the cutting area.

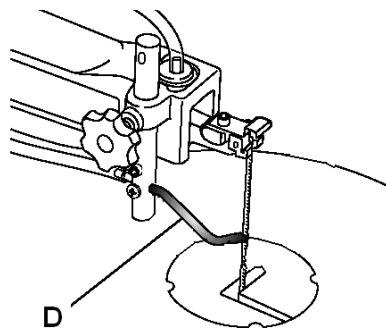


Fig 3

The sawdust blower keeps the work area clean.

Mounting the transparent blade guard:

Mount the transparent sawguard (J) to the vertical guide rod.

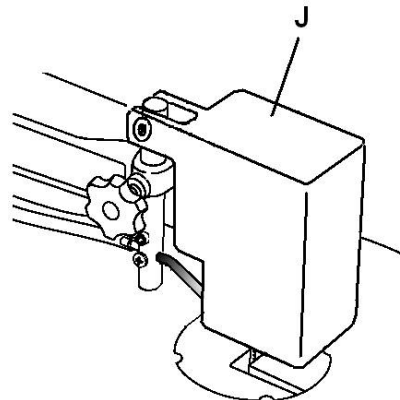


Fig 4

Note:

During machine operation the sawguard must always be lowered to the workpiece

5.3 Dust connection

The machine has a 35mm dust port (N, Fig 2) where it can be connected to a dust extractor.

5.4 Mains connection

Mains connection and any extension cords used must comply with applicable regulations.

The mains voltage must comply with the information on the machine licence plate.

The mains connection must have a 10A surge-proof fuse.

Only use power cords marked H05VV-F

Connections and repairs to the electrical equipment may only be carried out by qualified electricians.

5.5 Starting operation

You can start the machine with the ON/ OFF button.

The machine has variable speed 400-1600 SPM for cutting various materials.

With the variable speed control knob (P) the cutting speed can be chosen.

6. Machine operation

Correct working position:

In front of the machine standing in the direction of cutting.

Workpiece handling:

Insure that the workpiece does not roll when cutting round pieces.

Use suitable table extensions and supporting aids for difficult to handle workpieces.

Never cut pieces that are too small.

Press the workpiece down against the table to avoid uncontrollable lifting.

Remove the workpiece from the blade prior to turning the scroll saw ON.

Feed the workpiece towards the sawblade in the direction of the sawline, and cut as required by turning to follow the line drawn.

Do not perform any operation freehand.

Attention:

Always observe the safety instructions and adhere to the current regulations.

Ensure that the transparent sawguard is lowered to the workpiece before you start sawing.

Do not reach under the scroll saw table when the motor is running.

The condition of the sawblade should be checked before each machining process.

Work only with a sharp and flawless sawblade.

Bevel cutting:

The table can be tilted between 0° and 45° for bevel cutting.

Loosen the locking knob (H).

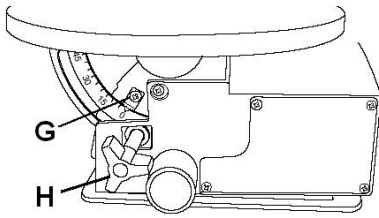


Fig 5

Tilt the table to the left until the desired angle on the scale (G) has been reached.

Retighten the locking knob.

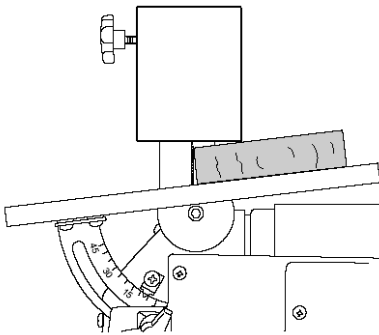


Fig 6

Attention:
Angle cutting requires more care.
Be careful.

7. Setup and adjustments

General note:
Setup and adjustment work may only be carried out after the machine is protected against accidental starting by pulling the mains plug.

7.1 Changing the sawblade

The machine accepts pin blades and plain end blades.

Check sawblade for flaws (cracks, broken teeth, bending) before installation. Do not use faulty sawblades.

The sawblade teeth must point in cutting direction (down)

The sawblades may only be changed when the mains plug is pulled!

Open the transparent sawguard.

Remove the table insert (M)

Release blade tension.

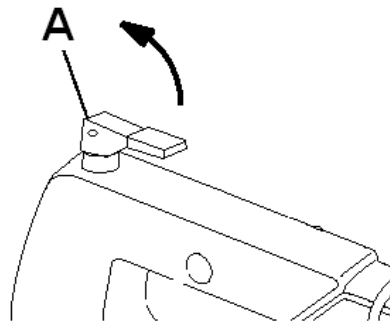


Fig 7

The quick release blade tension knob (A) allows a quick and easy blade change.

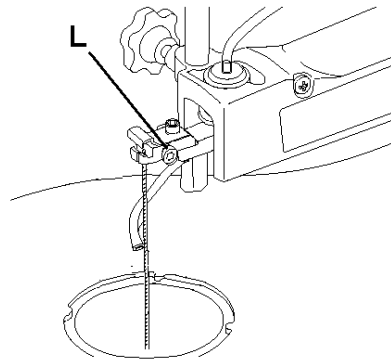


Fig 8

Loosen the upper and lower blade holder screws (L and I).

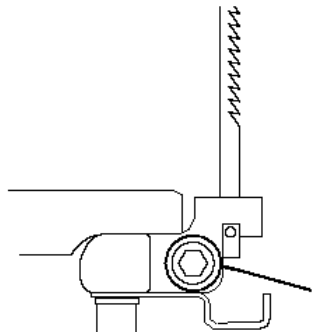


Fig 9

Replace the sawblade.

The teeth of the blade must point in the cutting direction (down).

The sawblade tension can be adjusted by turning the tension knob.

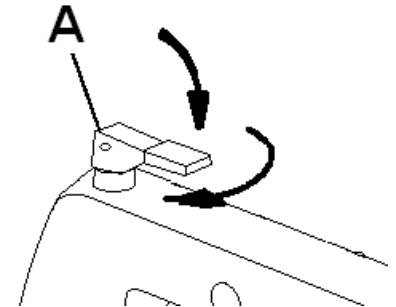


Fig 10

Turn clockwise to increase tension (Fig 10).

Reposition the table insert and the transparent sawguard.

8. Maintenance and inspection

General notes:
Maintenance, cleaning and repair work may only be carried out after the machine is protected against accidental starting by pulling the mains plug.

Repair and maintenance work on the electrical system may only be carried out by a qualified electrician.

Clean the machine regularly.

Inspect the proper function of the dust extraction daily.

All protective and safety devices must be re-attached immediately after completed cleaning, repair and maintenance work.

Defective safety devices must be replaced immediately.

Cleaning:
Regularly clean the machine housing with a soft cloth preferably after each use.

If the dirt does not come off use a soft cloth moistened with soapy water.

Never use solvents such as petrol, alcohol, ammoniac water, etc. These solvents may damage the plastic parts.

Saw blades:
Only use sharp saw blades.

Lubrication:
Lubricate the arm bearings after every 50 hours of use.

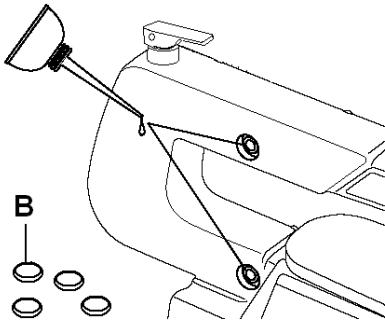


Fig 11

- Remove the 4 bearing covers (B).
- Apply a generous amount of light oil (SAE 20).
- Replace the bearing covers.

Motor brushes:

The collector brushes are due to wear and may need replacement.

- Disconnect the machine from the power source, pull mains plug.
- remove the brush covers.
- Replace the collector brushes (Jet Article Number: JSS16-083 ...2 pieces needed).
- reattach the brush covers.

9. Trouble shooting

Motor doesn't start

- *No electricity- check mains and fuse.
- *Defective switch, motor or cord- consult an electrician.
- *Motor brushes worn- Replace brushes.

Machine vibrates excessively

- *Stand on uneven surface- adjust base for even support.

Cut is not square

- *Bevel stop setting is bad.

Cutting surfaces is bad

- *Wrong sawblade used
- *resin collection on sawblade
- *sawblade is dull
- *sawblade damaged- replace sawblade immediately
- *workpiece inhomogeneous
- *Feed pressure too high- Do not force the workpiece.

10. Environmental protection

Protect the environment.

Your appliance contains valuable materials which can be recovered or recycled. Please leave it at a specialized institution.

11. Available accessories

Stock number 10000809
Set of 5 sawblades

DE - DEUTSCH

Gebrauchsanleitung

Sehr geehrter Kunde,

vielen Dank für das Vertrauen, welches Sie uns beim Kauf Ihrer neuen JET-Maschine entgegengebracht haben. Diese Anleitung ist für den Inhaber und die Bediener zum Zweck einer sicheren Inbetriebnahme, Bedienung und Wartung der Dekupiersäge JSS-16 erstellt worden. Beachten Sie bitte die Informationen dieser Gebrauchsanleitung und der beiliegenden Dokumente. Lesen Sie diese Anleitung vollständig, insbesondere die Sicherheitshinweise, bevor Sie die Maschine zusammenbauen, in Betrieb nehmen oder warten. Um eine maximale Lebensdauer und Leistungsfähigkeit Ihrer Maschinen zu erreichen befolgen Sie bitte sorgfältig die Anweisungen.

Inhaltsverzeichnis

1. Konformitätserklärung

2. Garantieleistungen

3. Sicherheit

Bestimmungsgemäße Verwendung
Allgemeine Sicherheitshinweise
Restrisiken

4. Maschinenspezifikation

Technische Daten
Schallemission
Lieferumfang
Maschinenbeschreibung

5. Transport und Inbetriebnahme

Transport und Aufstellung
Montage
Absaug Anschluss
Elektrischer Anschluss
Inbetriebnahme

6. Betrieb der Maschine

7. Rüst- und Einstellarbeiten

Montage des Sägeblattes

8. Wartung und Inspektion

9. Störungsabhilfe

10. Umweltschutz

11. Lieferbares Zubehör

1. Konformitätserklärung

Wir erklären in alleiniger Verantwortlichkeit, dass dieses Produkt mit den auf Seite 2 angegebenen Richtlinien* übereinstimmt. Bei der Konstruktion wurden folgende Normen** berücksichtigt.

2. Garantieleistungen

Der Verkäufer garantiert, dass das gelieferte Produkt frei von Material- und Fertigungsfehlern ist. Diese Garantie trifft nicht auf jene Defekte zu, welche auf direkten oder indirekten, nicht fachgerechten Gebrauch, Unachtsamkeit, Unfallschaden, Reparatur,

mangelhafte Wartung bzw. Reinigung sowie normalen Verschleiß zurückzuführen sind.

Garantie- bzw. Gewährleistungsansprüche müssen innerhalb von 12 Monaten ab dem Verkaufsdatum (Rechnungsdatum) geltend gemacht werden. Weitergehende Ansprüche sind ausgeschlossen.

Die vorliegende Garantie umfasst sämtliche Garantieverpflichtungen seitens des Verkäufers und ersetzt alle früheren Erklärungen und Vereinbarungen betreffend Garantien.

Die Garantiefrist gilt für eine tägliche Betriebszeit von 8 Stunden. Wird diese überschritten, so verkürzt sich die Garantiefrist proportional zur Überschreitung, jedoch höchstens auf 3 Monate.

Die Rücksendung beanstandeter Ware bedarf der ausdrücklichen vorherigen Zustimmung vom Verkäufer und geht auf Kosten und Gefahr des Käufers.

Die ausführlichen Garantieleistungen sind den Allgemeinen Geschäftsbedingungen (AGB) zu entnehmen. Die AGB sind unter www.jettools.com einzusehen oder werden auf Anfrage per Post zugestellt.

Der Verkäufer behält sich das Recht vor, jederzeit Änderungen am Produkt und Zubehör vorzunehmen.

3. Sicherheit

3.1 Bestimmungsgemäße Verwendung

Die Maschine ist geeignet zum Sägen von Holz und Holzersatzstoffen, sowie diesen ähnlich zu bearbeitende harte

Kunststoffe.

Die Bearbeitung anderer Werkstoffe ist nicht zulässig bzw. darf in Sonderfällen nur nach Rücksprache mit dem Maschinenhersteller erfolgen.

Es dürfen nur Werkstücke bearbeitet werden welche sicher aufgelegt und geführt werden können.

Die bestimmungsgemäße Verwendung beinhaltet auch die Einhaltung der vom Hersteller angegebenen Betriebs- und Wartungsanweisungen. Die Maschine darf ausschließlich von Personen bedient werden, die mit Betrieb und Wartung vertraut und über die Gefahren unterrichtet sind. Das gesetzliche Mindestalter ist einzuhalten.

Die Maschine nur in technisch einwandfreiem Zustand benutzen.

Beim Arbeiten an der Maschine müssen sämtliche Schutzeinrichtungen und Abdeckungen montiert sein.

Neben den in der Gebrauchsanleitung enthaltenen Sicherheitshinweisen und den besonderen Vorschriften Ihres Landes sind die für den Betrieb von Holzbearbeitungsmaschinen allgemein anerkannten fachtechnischen Regeln zu beachten.

Jeder darüber hinaus gehende Gebrauch gilt als nicht bestimmungsgemäß und für daraus resultierende Schäden haftet der Hersteller nicht. Das Risiko trägt allein der Benutzer.

3.2 Allgemeine Sicherheitshinweise

Holzbearbeitungsmaschinen können bei unsachgemäßem Gebrauch gefährlich sein. Deshalb ist zum sicheren Betreiben die Beachtung der zutreffenden Unfallverhütungs- vorschriften und der nachfolgenden Hinweise erforderlich.

Lesen und verstehen Sie die komplette Gebrauchsanleitung bevor Sie mit Montage oder Betrieb der Maschine beginnen.

Bewahren Sie die Bedienungsanleitung, geschützt vor Schmutz und Feuchtigkeit, bei der Maschine auf, und geben Sie sie an einen neuen Eigentümer weiter.

An der Maschine dürfen keine Veränderungen, An- und Umbauten vorgenommen werden.

Festgestellte Mängel an der Maschine oder den Sicherheitseinrichtungen sind zu melden und von den beauftragten Personen zu beheben. Nehmen Sie die Maschine in solchen Fällen nicht in Betrieb, sichern Sie die Maschine gegen Einschalten durch Ziehen des Netzsteckers.

Zum Schutz von langem Kopfhaar Mütze oder Haarnetz aufsetzen.

Enganliegende Kleidung tragen, Schmuck, Ringe und Armbanduhren ablegen.

Tragen Sie Schutzschuhe, keinesfalls Freizeitschuhe oder Sandalen.

Beim Arbeiten an der Maschine muss die durchsichtige Sägeschutzhaube auf das Werkstück abgesenkt sein.

Beim Sägen von Rundholz das Werkstück gegen Verdrehen sichern.

Beim Sägen von unhandlichen Werkstücken geeignete Hilfsmittel zum Abstützen verwenden.

Zu kleine Werkstücke nicht schneiden.

Es ist darauf zu achten dass alle Werkstücke beim Bearbeiten sicher gehalten und sicher geführt werden.

Sägen Sie niemals aus der freien Hand.

Abgesägte, eingeklemmte Werkstücke nur bei

ausgeschaltetem Motor und Stillstand des Sägeblattes entfernen.

Bei laufendem Motor niemals unter den Maschinentisch greifen.

Die Maschine so aufstellen, dass genügend Platz zum Bedienen und zum Führen der Werkstücke gegeben ist.

Sorgen Sie für gute Beleuchtung.

Achten Sie darauf, dass die Maschine standsicher auf festem und ebenem Grund steht.

Beachten Sie dass die elektrische Zuleitung nicht den Arbeitsablauf behindert und nicht zur Stolperstelle wird.

Den Arbeitsplatz frei von behindernden Werkstücken, etc. halten.

Seien Sie aufmerksam und konzentriert. Gehen Sie mit Vernunft an die Arbeit.

Achten Sie auf ergonomische Körperhaltung. Sorgen Sie für sicheren Stand und halten Sie jederzeit das Gleichgewicht.

Arbeiten Sie niemals unter dem Einfluss von Rauschmitteln wie Alkohol und Drogen an der Maschine. Beachten Sie, dass auch Medikamente Einfluss auf Ihr Verhalten nehmen können.

Halten Sie Unbeteiligte, insbesondere Kinder vom Gefahrenbereich fern.

Niemals in die laufende Maschine greifen.

Die laufende Maschine nie unbeaufsichtigt lassen. Vor dem Verlassen des Arbeitsplatzes die Maschine ausschalten.

Benützen Sie die Maschine nicht in der Nähe von brennbaren Flüssigkeiten oder Gasen.

Beachten Sie die Brandmelde- und Brandbekämpfungsmöglichkeiten z.B. Standort und Bedienung von Feuerlöschern.

Benützen Sie die Maschine nicht in feuchter Umgebung und setzen Sie sie nicht dem Regen aus.

Achten Sie stets darauf, dass keine zu große Staubkonzentration entsteht – verwenden Sie stets eine geeignete Absauganlage Holzstaub ist explosiv und kann gesundheitsschädigend sein.

Vor der Bearbeitung Nägel und andere Fremdkörper aus dem Werkstück entfernen.

Angaben über die min. und max. Werkstückabmessungen müssen eingehalten werden.

Die Maschine nicht überfordern. Sie arbeitet viel besser und hält länger, wenn sie der Leistung entsprechend eingesetzt wird.

Späne und Werkstückeile nur bei stehender Maschine entfernen.

Die Maschine nie bei entfernten Schutzeinrichtungen in Betrieb nehmen – große Verletzungsgefahr!

Arbeiten an der elektrischen Ausrüstung der Maschine dürfen nur durch eine Elektrofachkraft vorgenommen werden.

Verlängerungskabel immer ganz von der Trommel abwickeln.

Tauschen Sie ein beschädigtes Verlängerungskabel sofort aus.

Niemals Elektrowerkzeug benutzen, wenn der Ein-Ausschalter nicht ordnungsgemäß funktioniert.

Umrüst-, Einstell- und Reinigungsarbeiten nur im Maschinenstillstand und bei gezogenem Netzstecker vornehmen.

Schadhafte Sägeblätter sofort ersetzen.

3.3 Restrisiken

Auch bei vorschriftsmäßiger Benutzung der Maschine bestehen die nachfolgend aufgeführten Restrisiken:

Verletzungsgefahr durch das frei laufende Sägeblatt im Arbeitsbereich.

Gefährdung durch Bruch des Sägeblattes.

Gefährdung durch wegfliegende Werkstückeile.

Gefährdung durch Lärm und Staub. Unbedingt persönliche Schutzausrüstung wie Augen-Gehör- und Staubschutz tragen. Eine geeignete Absauganlage einsetzen!

Gefährdung durch Strom bei nicht ordnungsgemäßer Verkabelung.

4. Maschinenspezifikation

4.1 Technische Daten

Sägeblattlänge	127mm
Sägeblattthub	15mm
Blattgeschwindigkeit	400~1600U/min
Max. Schnitthöhe bei 90°	50mm
Tischgröße	410x253mm
Tischschwenkbereich	0°/45°links
Ausladung	406mm
Absauganschluß	35mm
Abmessung (LxBxH)	620x285x325mm
Maschinengewicht	11 kg
Netzanschluss	230V ~1L/N 50-60Hz
Aufnahmeleistung	90W
Betriebsstrom	0,6 A
Anschlussleitung	H05VV-F 3G1mm ²
Bauseitige Absicherung	10A

4.2 Schallemission

(Messunsicherheitsfaktor 4 dB)

Schalleistungspegel
(nach EN ISO 3746):

Leerlauf LwA 79,2 dB(A)

Schalldruckpegel
(nach EN ISO 11202):

Leerlauf LpA 72,1 dB(A)

Die angegebenen Werte sind Emissionspegel und sind nicht notwendigerweise Pegel für sicheres Arbeiten.

Sie sollen dem Anwender der Maschine eine bessere Abschätzung der Gefährdung und des Risikos ermöglichen.

4.3 Lieferumfang

- 1 Dekupiersäge
- 1 durchsichtige Sägeschutzhaube
- 1 Staublassystem
- 1 Innensechskantschlüssel 4mm
- 1 Innensechskantschlüssel 3mm
- Set von 5 Sägeblättern
- Gebrauchsanleitung
- Ersatzteilliste

4.4 Beschreibung der Maschine

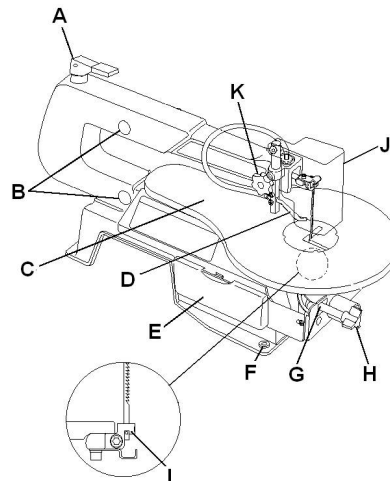


Fig 1

- A....Blattspannhebel
- B....Lagerdeckel
- C....Arbeitstisch
- D....Staubblasrohr
- E....Blatt- und Werkzeugstauraum
- F.... Befestigungsbohrungen
- G....Schwenkskala
- H....Schwenkklemmung
- I....Untere Sägeblattklemmung
- J.... Sägeschutzhaube
- K....Sägeschutz-Klemmschraube

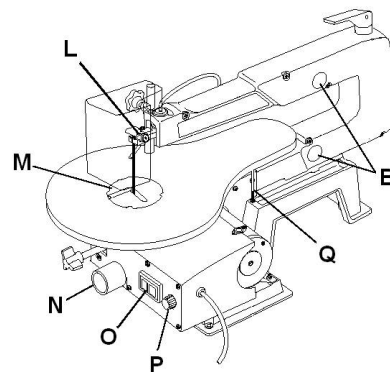


Fig 2

- L....Obere Sägeblattklemmung
- M....Tischeinlage
- N....Absaug Anschluss
- O....EIN/AUS Schalter
- P....Geschwindigkeitsregler
- Q....90° Tischanschlag

5. Transport und Inbetriebnahme

5.1. Transport und Aufstellung

Die Aufstellung der Maschine sollte in geschlossenen Räumen erfolgen, tischlerübliche Bedingungen in der Werkstatt sind dabei ausreichend.

Die Aufstellfläche muss ausreichend eben und belastungsfähig sein. Die Maschine kann bei Bedarf auf der Aufstellfläche befestigt werden.

Aus verpackungstechnischen Gründen ist die Maschine nicht komplett montiert.

5.2 Montage

Wenn Sie beim Auspacken einen Transportschaden feststellen benachrichtigen Sie umgehend Ihren Händler, nehmen Sie das Gerät nicht in Betrieb!

Entsorgen Sie die Verpackung bitte umweltgerecht.

Entfernen Sie das Rostschutzfett vom Maschinentisch mit einem milden Lösungsmittel.

Montage des Blasrohres:

Montieren Sie das Blasrohr (D, Fig 3) so, dass es auf die Schnittfläche zeigt.

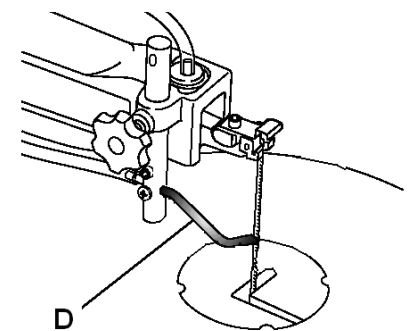


Fig 3

Das Blasrohr hält den Arbeitsbereich frei von Sägemehl.

Montage der Sägeschutzhaube

Montieren Sie die Sägeschutzhaube (J) an der vertikalen Führungsstange.

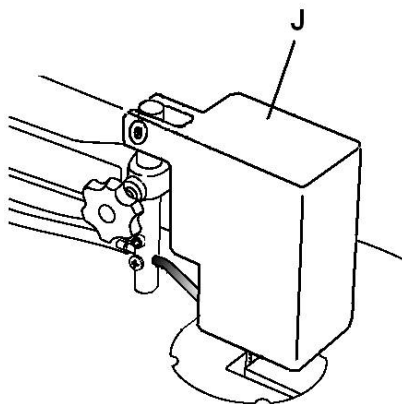


Fig 4

Hinweis:
Während der Bearbeitung muss die Sägeschutzhaube immer auf das Werkstück abgesenkt sein.

5.3 Absaug Anschluss

Die Maschine kann am 35mm Absaugstutzen (N, Fig 2) an eine Absauganlage angeschlossen werden.

5.4 Elektrischer Anschluss

Der kundenseitige Netzanschluss sowie die verwendeten Verlängerungsleitungen müssen den Vorschriften entsprechen.

Die Netzspannung und Frequenz müssen mit den Leistungsschilddaten an der Maschine übereinstimmen.

Die bauliche Absicherung muss 10A betragen.

Verwenden Sie nur Anschlussleitungen mit Kennzeichnung H05VV-F.

Anschlüsse und Reparaturen der elektrischen Ausrüstung dürfen nur von einer Elektrofachkraft durchgeführt werden.

5.5 Inbetriebnahme

Die Maschine kann mit dem EIN/AUS Schalter gestartet werden.

Um verschiedene Materialien zu schneiden hat die Maschine eine regelbare Geschwindigkeit von 400 bis 1600 U/min.

Mit dem Geschwindigkeitsregler (P, Fig 2) kann die optimale Schnittgeschwindigkeit gewählt werden.

6. Betrieb der Maschine

Richtige Arbeitsstellung:

Vor der Maschine in Schnittrichtung stehend.

Werkstückhandhabung:

Beim Sägen von Rundholz das Werkstück gegen Verdrehen sichern.

Beim Sägen von unhandlichen Werkstücken geeignete Hilfsmittel zum Abstützen verwenden.

Kleine Werkstücke nicht von Hand zuführen.

Drücken Sie das Werkstück bei der Bearbeitung fest auf den Maschinentisch, vermeiden Sie unkontrolliertes Abheben.

Entfernen Sie das Werkstück vom Sägeblatt bevor Sie die Maschine starten.

Werkstück langsam in Richtung des angezeigten Risses dem Sägeblatt zuführen und durch Drehen den Schnittverlauf nach Riss bestimmen.

Sägen Sie niemals aus der freien Hand.

Achtung:

Berücksichtigen Sie immer die Sicherheitsanweisungen und halten Sie sich an die geltenden Vorschriften.

Gewährleisten Sie, dass die Sägeschutzhaube in der richtigen Position steht, bevor Sie mit dem Sägen beginnen.

Bei laufendem Motor niemals unter den Maschinentisch greifen.

Kontrollieren Sie vor jeder Bearbeitung zuerst den Zustand des Sägeblattes.

Nur mit scharfem fehlerfreiem Sägeblatt arbeiten!

Schrägschnitt:

Der Tisch kann in einem Winkel von 0° bis 45° schräggestellt werden.

Drehgriff (H) lösen.

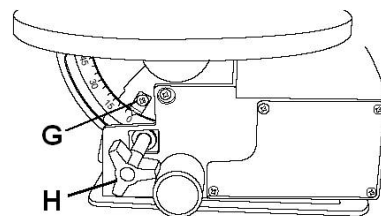


Fig 5

Schwenken Sie den Tisch nach links entsprechend der Skala (G).

Drehgriff wieder festziehen.

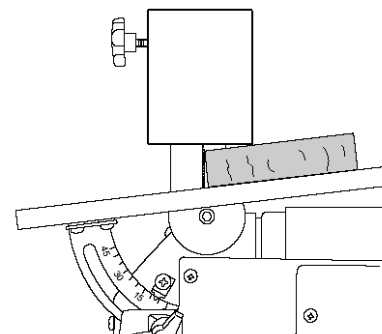


Fig 6

Achtung:

Bei Schrägschnitten kann sich das Sägeblatt leicht verklemmen. Seien Sie vorsichtig!

7. Rüst- und Einstellarbeiten

Allgemeine Hinweise:
Vor Rüst- und Einstellarbeiten muss die Maschine gegen Inbetriebnahme gesichert werden.
Netzstecker ziehen.

7.1 Wechsel des Sägeblattes

Es können Sägeblätter mit und ohne Stifte verwendet werden.

Das Sägeblatt vor dem Auflegen auf Fehler überprüfen (Risse, schadhafte Zähne, Verbiegung). Fehlerhafte Sägeblätter nicht verwenden.

Achten Sie darauf, dass die Zähne des Sägeblattes in Schnittrichtung (abwärts) zeigen.

Der Sägeblattwechsel darf nur bei gezogenem Netzstecker erfolgen.

Entfernen Sie die Sägeschutzhaube.

Entfernen Sie die Tischeinlage.

Lösen Sie die Blattspannung.

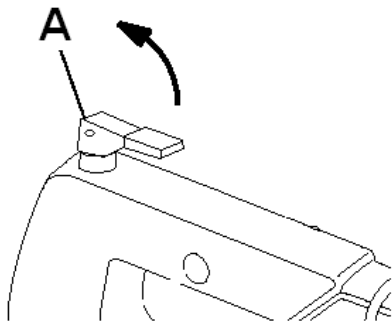


Fig 7

Der Blattspannhebel (A) erlaubt einen schnellen und einfachen Blattwechsel.

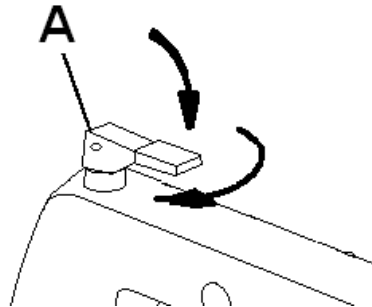


Fig 10

Drehen im Uhrzeigersinn erhöht die Blattspannung (Fig 10).

Montieren Sie die Tischeinlage und die Sägeschutzhaube.

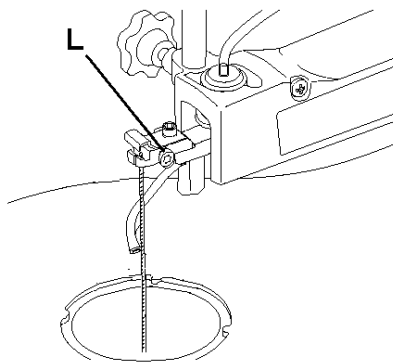


Fig 8

Lösen Sie die Sägeblattklemmungen (L und I).

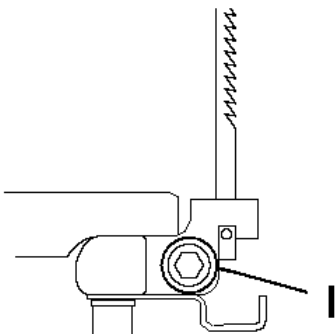


Fig 9

Tauschen Sie das Sägeblatt aus.

Achten Sie darauf, dass die Zähne des Sägeblattes in Schnittrichtung (abwärts) zeigen.

Die Blattspannung kann mittels Drehen des Blattspannhebels eingestellt werden.

8. Wartung und Inspektion

Allgemeine Hinweise:
Vor Wartungs- Reinigungs- und Reparaturarbeiten muss die Maschine gegen Inbetriebnahme gesichert werden.
Netzstecker ziehen!

Anschlüsse und Reparaturen der elektrischen Ausrüstung dürfen nur von einer Elektrofachkraft durchgeführt werden.

Reinigen Sie die Maschine in regelmäßigen Zeitabständen.

Prüfen Sie täglich die ausreichende Funktion der Absaugung.

Nach Wartungs- Reinigungs- und Reparaturarbeiten alle Schutz- und Sicherheitsvorrichtungen sofort wieder anbringen.

Ersetzen Sie beschädigte Schutzeinrichtungen sofort.

Reinigung:

Reinigen Sie das Maschinengehäuse regelmäßig mit einem weichen Tuch, vorzugsweise nach jedem Einsatz.

Entfernen Sie hartnäckigen Schmutz mit einem weichen, mit Seifenwasser angefeuchteten Tuch.

Verwenden Sie keine Lösungsmittel wie Benzin, Alkohol, Ammoniak usw. Derartige Stoffe beschädigen die Kunststoffteile.

Sägeblätter:

Verwenden Sie nur ausreichend geschärfte Sägeblätter.

Schmierung:

Schmieren Sie die Armlager alle 50 Betriebsstunden.

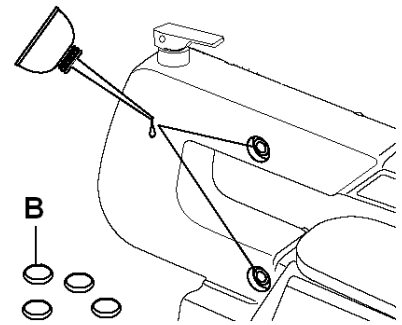


Fig 11

Entfernen Sie die 4 Lagerdeckel (B).

Schmieren Sie großzügig mit leichtem Öl (SAE 20).

Lagerdeckel wieder anbringen.

Kollektorbürsten:

Die Kollektorbürsten des Motors unterliegen dem Verschleiß und müssen gegebenenfalls ersetzt werden.

- Die Stromzufuhr durch Ziehen des Netzsteckers trennen.

- Bürstendeckel abschrauben

- Neue Kollektorbürsten einsetzen (Jet Teilenummer: JSS16-083 ...2 Stück erf.)

- Bürstendeckel wieder anbringen.

9. Störungsabhilfe

Motor startet nicht

*Kein Strom-
Zuleitung und Sicherung prüfen.

*Motor, Schalter oder Kabel defekt-
Elektrofachkraft kontaktieren.

*abgenutzte Kollektorbürsten-
Kollektorbürsten ersetzen.

Starke

Maschinenvibrationen

*Maschine steht uneben-
Ausgleich schaffen.

Schnittwinkel nicht 90°

*Schwenkansschlag falsch
eingestellt

Schnittbild ist schlecht

*Falsches Sägeblatt gewählt

*verharztes Sägeblatt

*Sägeblatt stumpf

*Sägeblatt beschädigt-
Sägeblatt sofort ersetzen.

*Werkstück inhomogen

*Vorschubdruck zu hoch-
Bearbeitung nie erzwingen.

10. Umweltschutz

Schützen Sie die Umwelt!

Ihr Gerät enthält mehrere
unterschiedliche ,
wiederverwertbare Werkstoffe.
Bitte entsorgen Sie es nur an einer
spezialisierten Entsorgungsstelle.

11. Lieferbares Zubehör

Artikel Nummer 10000809

Set von 5 Sägeblättern

FR - FRANCAIS

Mode d'emploi

Cher client,

Nous vous remercions de la confiance que vous nous portez avec l'achat de votre nouvelle machine JET. Ce manuel a été préparé pour l'opérateur de la scie à chantourner JET JSS-16. Son but, mis à part le fonctionnement de la machine, est de contribuer à la sécurité par l'application des procédés corrects d'utilisation et de maintenance. Avant de mettre l'appareil en marche, lire les consignes de sécurité et de maintenance dans leur intégralité. Pour obtenir une longévité et fiabilité maximales de votre scie, et pour contribuer à l'usage sûr de la machine, veuillez lire attentivement ce mode d'emploi et suivre les instructions.

Table des Matières

1. Déclaration de conformité

2. Prestations de garantie

3. Sécurité

Utilisation conforme
Consignes de sécurité
Risques

4. Spécifications

Indications techniques
Emission de bruit
Contenu de la livraison
Description de la machine

5. Transport et montage

Transport
Montage
Racc. collecteur de poussières
Raccordement au réseau électr.
Mise en exploitation

6. Fonctionnement de la machine

7. Réglages

Montage de la lame

8. Entretien et inspection

9. Détecteur de pannes

10. Protection de l'environnement

11. Accessoires

1. Déclaration de conformité

Par le présent et sous notre responsabilité exclusive, nous déclarons que ce produit satisfait aux normes conformément aux lignes directrices indiquées page 2.

2. Prestations de garantie

Le vendeur garantit que le produit livré est exempt de défauts de matériel et de fabrication. La présente garantie ne s'applique pas aux défauts résultant d'une utilisation incorrecte directe ou indirecte, de l'inattention, d'un accident, d'une réparation, d'une

maintenance ou d'un nettoyage insuffisant, ou encore de l'usure normale.

Il est possible de faire valoir des prétentions en garantie dans les 12 mois suivant la date de la vente (date de la facture). Toute autre prétention est exclue.

La présente garantie comprend toutes les obligations de garantie incombant au vendeur et remplace toutes les déclarations et conventions antérieures en termes de garanties.

Le délai de garantie s'applique pour une durée d'exploitation de huit heures par jour. Au-delà, le délai de garantie diminue proportionnellement au dépassement, mais pas en deçà de trois mois.

Le renvoi d'une marchandise faisant l'objet d'une réclamation requiert l'accord préalable exprès du vendeur et s'effectue aux frais et aux risques de l'acheteur.

Les prestations de garantie détaillées figurent dans les Conditions générales (CG). Ces dernières sont disponibles sur www.jettools.com ou peuvent être envoyées par la poste sur demande.

Le vendeur se réserve le droit de modifier à tout moment le produit et les accessoires.

3. Sécurité

3.1 Utilisation conforme

Cette scie convient au sciage du bois et des dérivés du bois ainsi qu'aux caoutchoucs d'une dureté similaire.

Le travail d'autres matériaux est interdit et ne peut être effectué que dans des cas spéciaux et après accord du fabricant de la machine.

L'utilisation conforme implique le strict respect des instructions de service et de maintenance indiquées dans ce manuel.

La machine doit être utilisée exclusivement par des personnes familiarisées avec le fonctionnement, la maintenance et la remise en état, et qui sont informées des dangers correspondants.

L'âge requis par la loi est à respecter.

La machine ne doit être utilisée que si elle est en parfait état et munie de ses dispositifs de sécurité

Toutes les directives relatives à la prévention des accidents ainsi que les consignes de sécurité doivent être scrupuleusement respectées.

En cas d'utilisation non-conforme de la machine, le fabricant décline toute responsabilité, qui est en tel cas rejetée exclusivement sur l'utilisateur.

3.2 Consignes de sécurité

L'utilisation non-conforme d'une scie peut être très dangereuse. C'est pourquoi vous devez lire attentivement ce mode d'emploi avant de monter ou d'utiliser votre appareil.

La pièce doit se laisser poser et guider sans problème.

Conserver à proximité de la machine tous les documents fournis avec l'outillage (dans une pochette en plastique, à l'abri de la poussière, de l'huile et de l'humidité) et veiller à joindre cette documentation si vous cédez l'appareil.

Ne pas effectuer de modifications à la machine. Utiliser les accessoires recommandés, des accessoires incorrects peuvent être dangereux.

Chaque jour avant d'utiliser la machine, contrôler les dispositifs de protection et le fonctionnement impeccable.

En cas de défauts à la machine ou aux dispositifs de protection avertir les personnes compétentes et ne pas utiliser la machine.
Déconnecter la machine du réseau.

Avant de mettre la machine en marche, retirer cravate, bagues, montre ou autres bijoux et retrousser les manches jusqu'aux coudes.

Enlever tous vêtements flottants et nouer les cheveux longs.

Porter des chaussures de sécurité, surtout pas de tenue de loisirs ou de sandales.

Ne travailler sur la machine que si le protecteur de scie transparent est abaissé sur la pièce à usiner.

Pour le sciage de bois ronds s'assurer que la pièce ne pourra pas tourner.

Pour le sciage de pièces difficiles à manœuvrer, utiliser un support.

Ne pas usiner des pièces trop petites.

Bien tenir et guider les pièces pendant le travail.

Ne jamais scier en tenant la pièce seulement dans la main.

Ne pas enlever les copeaux et les pièces usinées avant que la machine ne soit à l'arrêt.

Ne jamais mettre la main sous la table de travail lorsque le moteur est en marche.

Placer la machine de sorte à laisser un espace suffisant pour la manœuvre et le guidage des pièces à usiner.

Veiller à un éclairage suffisant.

Placer la machine sur un sol stable et plat.

S'assurer que le câble d'alimentation ne gêne pas le travail ni ne risque de faire trébucher l'opérateur.

Conserver le sol autour de la machine propre, sans déchets, huile ou graisse.

Prêter grande attention à votre travail et rester concentré.

Eviter toute position corporelle anormale.
Veiller à une position stable et

garder un bon équilibre à tout moment.

Ne pas travailler sous l'influence de drogues, d'alcool ou de médicaments.

Eloigner de la machine toutes personnes incompetentes, surtout les enfants.

Ne jamais mettre la main dans la machine pendant le travail.

Ne jamais laisser la machine en marche sans surveillance.
Arrêter la machine avant de quitter la zone de travail.

Ne pas mettre la machine à proximité de liquides ou de gaz inflammables. respecter les consignes de lutte contre les incendies, par ex le lieu et l'utilisation des extincteurs.

Préserver la machine de l'humidité et ne jamais l'exposer à la pluie.

Utiliser un collecteur de poussières afin d'éviter une production de poussières trop élevée.
La poussière de bois est explosive et peut être nocive pour la santé.

Retirer les clous et autres corps étrangers de la pièce avant de débiter l'usinage.

Se tenir aux spécifications concernant la dimension maximale ou minimale de la pièce à usiner.

Ne pas faire forcer le moteur. Votre scie vous rendra de meilleurs services et donnera de meilleurs résultats, sans nuire à la sécurité, si elle est utilisée selon la fréquence pour laquelle elle a été conçue.

Ne pas enlever les copeaux et les pièces usinées avant que la machine ne soit à l'arrêt.

Ne jamais mettre la machine en service sans les dispositifs de protection – risque de blessures graves!

Tous travaux de branchement et de réparation sur l'installation électrique doivent être exécutés uniquement par un électricien qualifié.

Toujours dérouler entièrement les rallonges.

Remplacer immédiatement tout câble endommagé ou usé.

Ne jamais utiliser de machines électriques dont l'interrupteur marche/arrêt est défectueux.

Faire tous les travaux de réglage ou de maintenance seulement après avoir débranché la machine du réseau.

Remplacer immédiatement une lame endommagée.

3.3 Risques

Même en respectant les directives et les consignes de sécurité les risques suivants existent.

Danger de blessures par une lame en travaillant sans dispositif de protection.

Danger par rupture de la lame.

Danger de pièces éjectées.

Risque de nuisance par poussières de bois, copeaux et bruit.

Porter équipements de sécurité personnels tels que lunettes, cache-visage pour travailler à la machine.

Utiliser un collecteur de poussières!

Danger par câble électrique endommagé, usé ou mal branché.

4. Spécifications JSS-16

4.1 Indications techniques

Longueur de lame	127mm
Course de lame	15mm
Vitesse de lame	400~1600T/min
Hauteur max de coupe à 90°	50mm
Dimension de table	410x253mm
Inclinaison de table	0°/45°gauche
Longueur max de pièce	406mm
Ouverture d'aspiration	35mm
Dimension (L x l x h)	620x285x325mm
Poids net	11 kg
Voltage	230V ~1L/N/PE 50-60Hz
Puissance	90W
Courant électrique	0,6 A
Raccordement	H05VV-F 3G1mm ²
Fusible du secteur élect.	10A

4.2 Emission de bruit

(incertitude de mesure 4 dB)

Puissance sonore (selon EN ISO 3746):
Marche à vide LwA 79,2 dB(A)

Niveau de pression sonore (selon EN ISO 11202):
Marche à vide LpA 72,1 dB(A)

Les indications données sont des niveaux de bruit et ne sont pas forcément les niveaux pour un travail sûr.

Cette information est tout de même importante, ainsi l'utilisateur peut estimer les dangers et les risques possibles.

4.3 Contenu de la livraison

- 1 Scie à chantourner
- 1 Protecteur de scie transparent
- 1 Système de soufflage de poussières
- 1 Clé pour vis à 6 pans creux 4mm
- 1 Clé pour vis à 6 pans creux 3mm
- Jeu de 5 lames de scie
- Mode d'emploi
- Liste pièces de rechange

- Table de la machine
- Guide de précision de longueur
- Guide d'onglet
- Accessoires pour le montage
- Lampe de la machine
- Lame de scie 6mm

4.4 Description de la machine

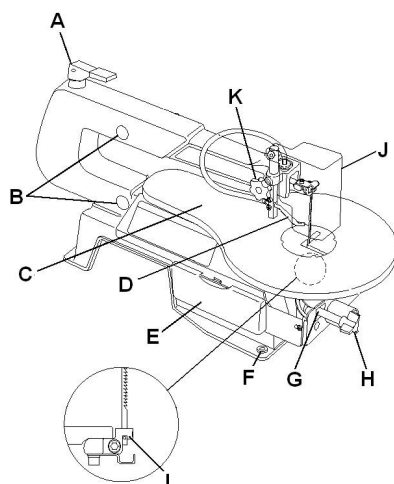


Fig 1

- A....Levier de tension de lame
- B....Couvercles du palier
- C....Table de travail
- D....Tuyau de soufflage poussières
- E.....Rangement pour lames et outils
- F.... Trous de fixation
- G....Graduation de pivotement
- H....Blocage de pivotement
- I.....Blocage inférieur de lame
- J....Protecteur de scie
- K....Vis de blocage de ce protecteur

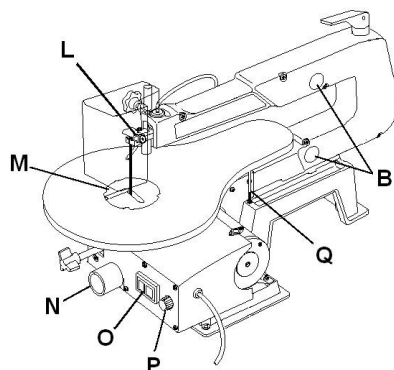


Fig 2

- L.....Blocage supérieur de lame
- M....Grille de scie
- N....Raccordement buse d'aspiration
- O....Interrupteur marche/arrêt
- P....Réglage des vitesses
- Q...Butée de table 90°

5. Transport et mise en exploitation

5.1. Transport

Effectuer le montage de la machine dans un local fermé ou un atelier respectant les conditions de menuiserie.

Placer la machine sur une surface stable et plane. La machine peut aussi être fixée à la surface.

Pour des raisons techniques d'emballage la machine n'est pas complètement montée à la livraison.

5.2 Montage

Déballer la machine. Avertir immédiatement JET si vous constatez des pièces endommagées par le transport et ne pas monter la machine.

Eliminer l'emballage dans le respect de l'environnement.

Enlever la protection antirouille sur la table avec un dissolvant.

Montage du tuyau de soufflage:
Monter le tuyau de soufflage(D, Fig 3) de façon à ce qu'il soit orienté vers la coupe.

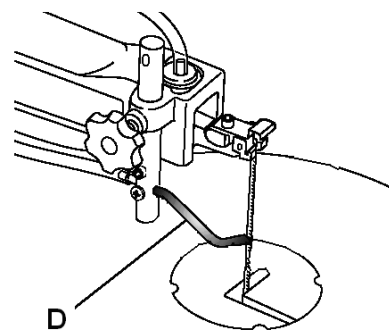


Fig 3

Ce tuyau libère la zone de travail des sciures.

Montage du protecteur de scie

Monter le protecteur de scie (J) sur la tige conductrice verticale.

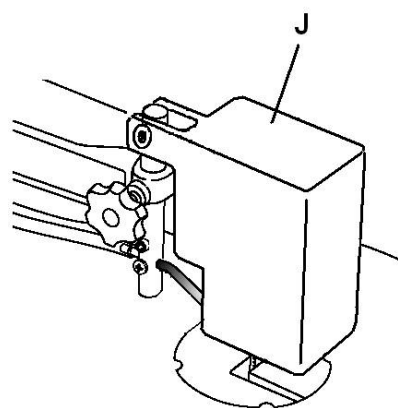


Fig 4

Remarque:
Pendant le travail, le protecteur de scie doit toujours être abaissé sur la pièce à usiner.

5.3 Racc. collecteur de poussières

La machine peut être reliée par la buse d'aspiration de 35mm (N, Fig 2) à un dispositif d'aspiration.

5.4 Raccordement au réseau électr.

Le raccordement ainsi que les rallonges utilisées doivent correspondre aux instructions.

Le voltage et la fréquence doivent être conformes aux données inscrites sur la machine.

Le fusible de secteur électrique doit avoir 10A.

Pour le raccordement utiliser des câbles H05VV-F.

Tous travaux de branchement et de réparation sur l'installation électrique doivent être exécutés

uniquement par un électricien qualifié.

5.5 Mise en exploitation

La machine peut être mise en marche avec le bouton de marche/arrêt.

Afin de couper différents matériaux, la vitesse de coupe peut être réglée de 400 à 1600 T/min.

La vitesse optimale de coupe est choisie par le bouton (P, Fig 2).

6. Fonctionnement de la machine

Position de travail:

Debout devant la machine en direction de la coupe.

Manœuvre des pièces:

Pour le sciage de bois ronds s'assurer que la pièce ne pourra pas tourner.

Pour le sciage de pièces difficiles à manœuvrer, utiliser un support.

Ne pas tenir les petites pièces à la main.

Pendant le travail, appuyer fermement la pièce sur la table de travail, éviter le soulèvement incontrôlé de la pièce.

Eloigner la pièce de la lame avant de remettre la machine en route.

Mener la pièce en direction de la coupe prévue vers la lame et guider la coupe en tournant selon le dessin.

Ne jamais scier en tenant la pièce seulement dans la main.

Important:

Prendre toujours en considération les instructions de sécurité et se tenir aux règlements en vigueur.

Veillez à ce que le capot de protection se trouve dans la position correcte, avant de commencer le sciage.

Ne jamais mettre la main sous la table de travail lorsque le moteur est en marche.

L'état de la lame de scie doit être contrôlé avant chaque travail.

Ne travailler qu'avec des lames bien aiguisées et en parfait état!

Coupe en biais:

La table peut être orientée de 0° à 45°

Desserrer la poignée tournante (H).

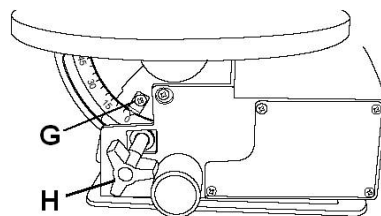


Fig 5

Faire pivoter la table vers la gauche selon la graduation (G).

Resserrer la poignée tournante.

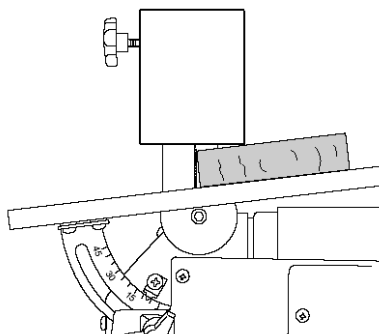


Fig 6

Attention :

Lors de coupes en biais, la lame peut se bloquer légèrement. Soyez prudent!

7. Réglages

Attention

Faire tous les travaux de maintenance ou de réglage après avoir débranché la machine du réseau.

7.1 Changement de lame

Il est possible d'utiliser des lames avec ou sans tiges.

Contrôler la lame de scie avant le montage (déchirure, dents endommagées, déformation). Ne pas utiliser une lame de scie endommagée.

Monter la lame de scie avec les dents en direction de la coupe (vers le bas).

Ne procéder au changement de lame qu'après avoir déconnecté la machine du réseau.

Retirer le protecteur de scie.

Retirer la grille de scie.

Desserrer la tension de la lame.

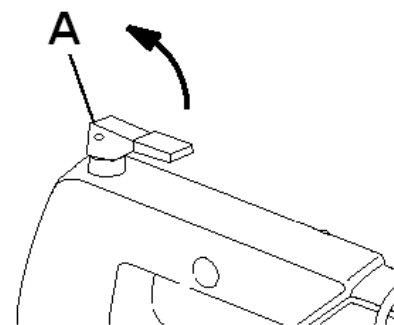


Fig 7

Le levier de tension de la lame (A) permet le changement aisé et rapide de celle-ci.

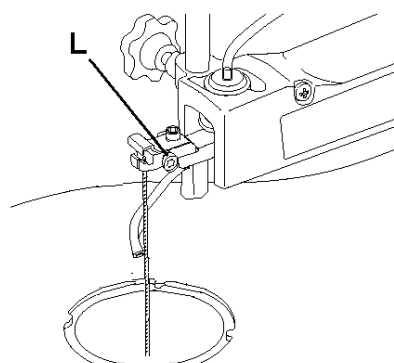


Fig 8

Desserrer les dispositifs de blocage de la lame (L et l).

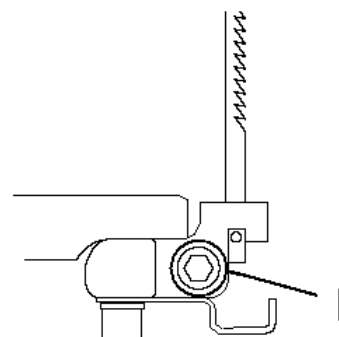


Fig 9

Changer la lame.

Veiller à ce que les dents de scie soient orientées dans le sens de la coupe (vers le bas).

La tension de la lame peut être réglée en tournant le levier de tension.

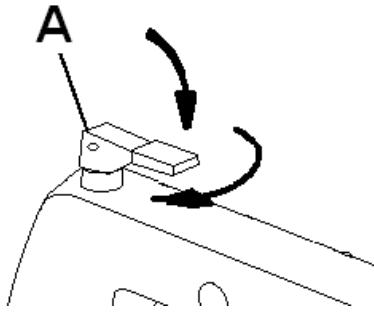


Fig 10

Le fait de le tourner en direction de aiguilles d'une montre augmente la tension (Fig 10).

Remettre en place la grille et le protecteur de scie.

8. Entretien et inspection

Attention:

Faire tous les travaux de maintenance, réglage ou nettoyage après avoir débranché la machine du réseau!

Tous les travaux de branchement et de réparation sur l'installation électrique doivent être exécutés uniquement par un électricien qualifié.

Nettoyer la machine régulièrement.

Vérifier chaque jour le fonctionnement impeccable du collecteur de poussières.

Réinstaller immédiatement les dispositifs de protection.

Remplacer immédiatement les dispositifs de protection endommagés.

Nettoyage:

Nettoyer régulièrement le carter au moyen d'un chiffon doux, de préférence à l'issue de chaque utilisation

Nettoyer les saletés tenaces avec un chiffon doux légèrement imbibé d'eau savonneuse.

Ne pas utiliser de dissolvants tels qu'essence, alcool, ammoniac etc. Ceux-ci peuvent détériorer les parties en matière plastique.

Lames de scie:

N'utiliser que des lames suffisamment aiguisées.

Lubrification:

Lubrifier les paliers du bras toutes les 50 heures de travail.

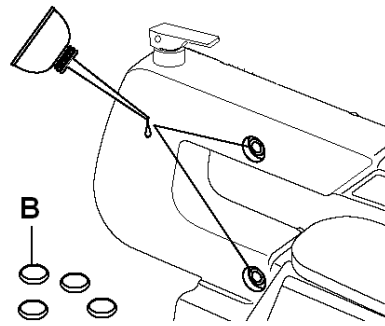


Fig 11

Retirer les 4 couvercles du palier (B).

Lubrifier généreusement avec de l'huile légère (SAE 20).

Remonter les couvercles du palier.

Brosses de collecteur:

Les brosses de collecteur du moteur sont sujettes à usure et doivent être remplacées au besoin.

- Débrancher la machine du réseau!
- Dévisser le couvercle des brosses
- Mettre en place de nouvelles brosses de collecteur (Jet pièce numéro: JSS16-0832 pièces nécessaires).
- Remonter le couvercle.

9. Détecteur de pannes

Moteur ne se met pas en route

- *Pas de courant- Vérifier le voltage.
- *Défaut au moteur, bouton ou câble- Contacter un électricien qualifié.

*brosses de collecteur usées- Remplacer les brosses.

Vibrations violentes de la machine

- *La machine n'est pas sur un sol plat-
- Repositionner la machine.

Equerre de coupe pas 90°

- *Mauvais réglage du guide d'inclinaison

Résultat du sciage insuffisant

- *Ruban non adapté
- *Ruban résineux
- *Ruban usé
- *Mauvais réglage du guide-lame
- *Tension du ruban insuffisante
- *Pièce à usiner non homogène
- *Trop de pression sur le travail- Ne jamais forcer sur le travail.

10. Protection de l'environnement

Protégez l'environnement !

Votre appareil comprend plusieurs matières premières différentes et recyclables. Pour éliminer l'appareil usagé, veuillez l'apporter dans un centre spécialisé de recyclage.

11. Accessoires

Nombre d'article 1000809

Jeu de 5 lames de scie