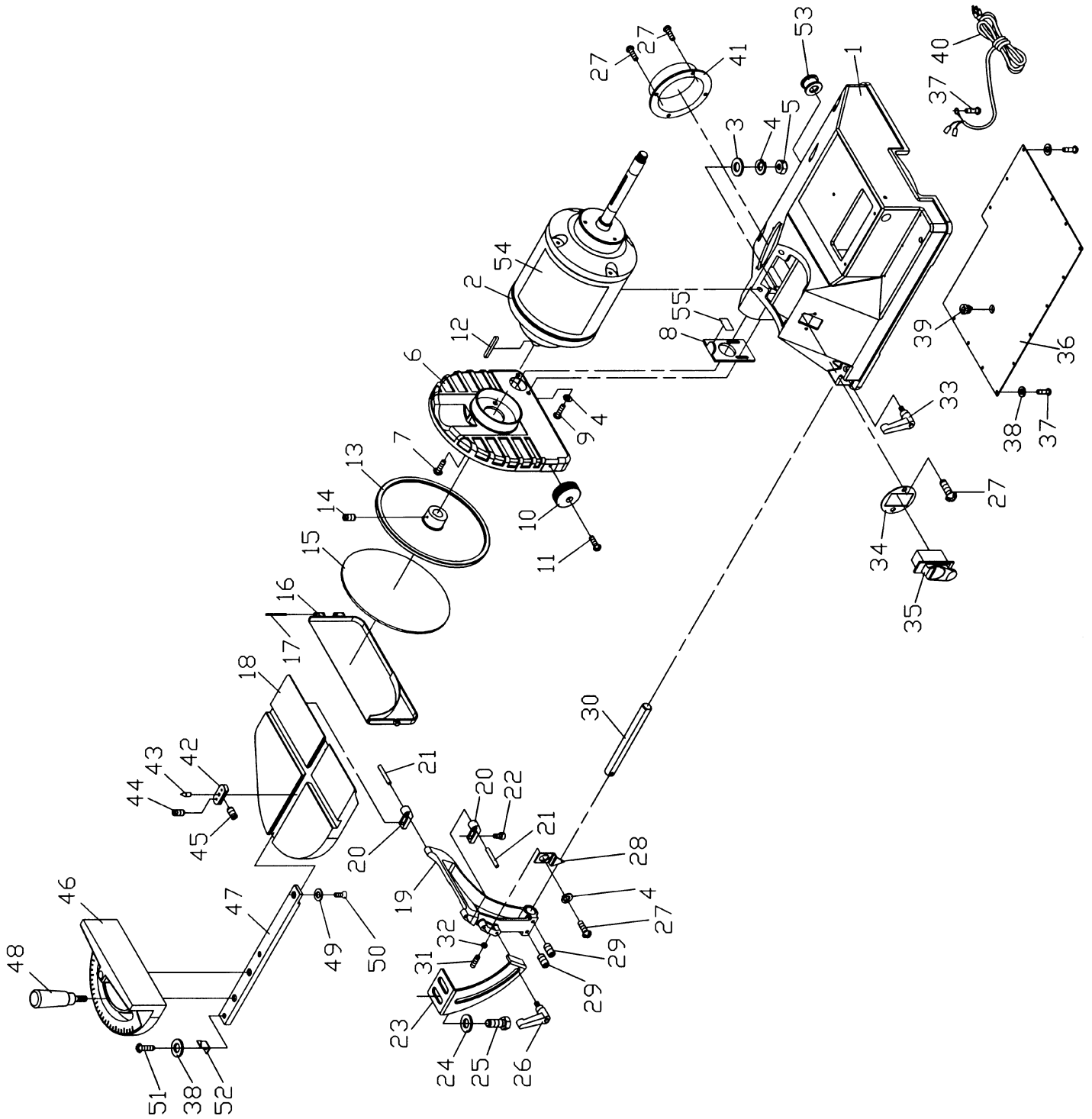


Disc Sander Assembly Breakdown



Parts List For The JSG-96 Sander

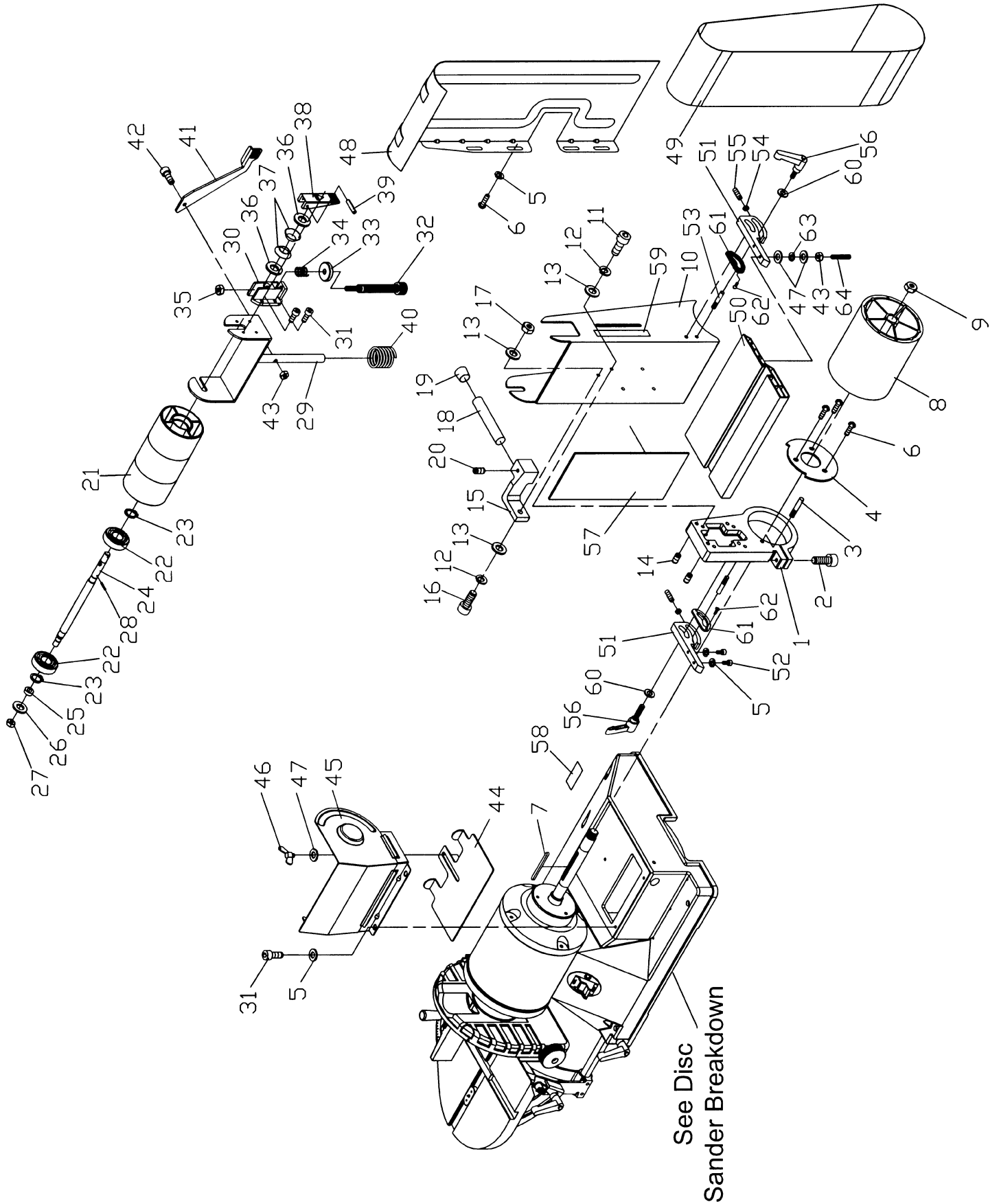
Disc Sander Assembly

Index No.	Part No.	Description	Size	Qty.
1	JSG96-101	Base		1
2	JSG96-102	Motor		1
	JSG96-102A	Starting Capacitor (not shown)		1
	JSG96-102B	Running Capacitor (not shown)		1
3	TS-1550041	Flat Washer	M6	4
4	TS-1551041	Lock Washer	M6	7
5	TS-1540041	Hex Nut	M6	1
6	JSG96-106	Disc Cover		1
7	JSG96-107	Screw w/Washer	1/4x3/8	3
8	JSG96-108	Air Controller		1
9	TS-0813032	Screw	1/4x1/2	2
10	JSG96-110	Lock Knob		1
11	JSG96-111	Tap Screw	1/4x1	1
12	JSG96-112	Key	5x5x25	1
13	JSG96-113	Disc		1
14	JSG96-114	Set Screw	#10x3/8	1
15	JSG96-115	Sanding Disc		1
16	JSG96-116	End Cover		1
17	JSG96-117	Pin		1
18	JSG96-118	Compound Table		1
19	JSG96-119	Table Bracket		1
20	JSG96-120	Trunnion		2
21	JSG96-121	Pin		2
22	JSG96-122	Hex Socket Cap Screw	#10x5/8	2
23	JSG96-123	Table Support w/Scale		1
24	TS-0680031	Flat Washer*	5/16	2
25	TS-0051021	Hex Head Screw	5/16x5/8	2
26	JSG96-126	Lock Handle*		1
27	JSG96-127	Screw	1/4x3/8	7
28	JSG96-128	Pointer		1
29	TS-0270031	Set Screw	5/16x3/8	2
30	JSG96-130	Rod		1
31	JSG96-131	Set Screw	1/4x1	1
32	TS-0561011	Hex Nut	1/4	1
33	JSG96-133	Lock Handle	5/16x1	1
34	JSG96-134	Switch Plate		1
35	JSG96-135	Switch		1
	JSG96-135A	Switch Key (not shown)		1
36	JSG96-136	Plate		1
37	JSG96-137	Screw w/Flange	#10x3/8	17
38	TS-0680011	Flat Washer	3/16	1
39	JSG96-139	Strain Relief		1
40	JSG96-140	Power Cord		1
41	JSG96-141	Dust Chute		1
42	JSG96-142	Circle Gauge*		1
43	JSG96-143	Tip		1
44	JSG96-144	Set Screw	1/4x1/4	2
45	JSG96-145	Set Screw	M4x6	1
46	JWBS18-403	Miter Gauge Body		1
47	JSG96-147	Guide Bar		1
48	JWBS18-401	Lock Handle		1
49	JWBS20-156	Guide Disc		1
50	JSG96-150	Pan Head Screw	1/4x5/16	1

Index No.	Part No.	Description	Size	Qty.
51	JSG96-151	Screw	#10x5/16	1
52	JWBS18-406	Pointer		1
53	JSG96-153	Bushing		1
54	JSG96-154	I.D. Label		1
55	JSG96-155	Indication Label		1
	JSG96-MGA	Miter Gauge Assembly (Items 38, 46 thru 52)		1
	JSG96-CGA	Circle Gauge Assembly (Items 42 thru 45)		1

* items marked with an asterisk are part of the Hardware Kit, page 20.

Belt Sander Assembly Breakdown

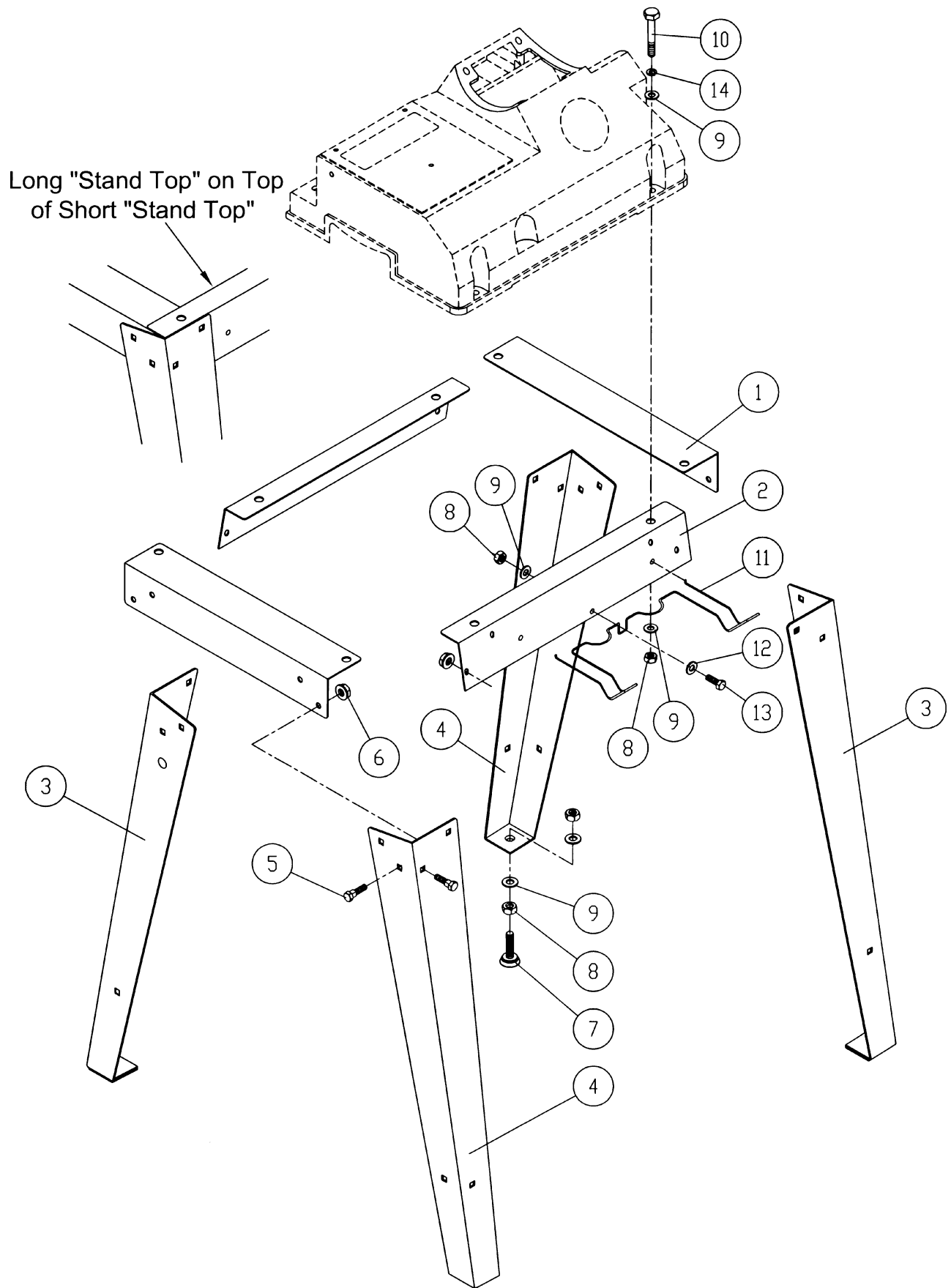


Belt Sander Assembly

Index No.	Part No.	Description	Size	Qty.
1	JSG96-201	Bracket		1
2	TS-0208071	Hex Socket Cap Screw	5/16x1-1/4	1
3	JSG96-203	Pin		1
4	JSG96-204	Fixed Plate		1
5	TS-0680021	Flat Washer	1/4	8
6	JSG96-206	Screw	1/4x3/8	3
7	JSG96-207	Key	5x5x70	1
8	JSG96-208	Drive Drum		1
9	JSG96-209	Lock Nut	5/8-18UNF	1
10	JSG96-210	Belt Support		1
11	JSG96-211	Hex Socket Cap Screw	5/16x5/8	4
12	TS-0720081	Lock Washer	5/16	5
13	TS-0680031	Flat Washer	5/16	6
14	TS-0270031	Set Screw	5/16x3/8	4
15	JSG96-215	Bracket		1
16	TS-0208061	Hex Socket Cap Screw	5/16x1	1
17	TS-0561021	Hex Nut	5/16	1
18	JSG96-218	Rod		1
19	JSG96-219	Pad		1
20	JSG96-220	Set Screw	1/4x3/8	1
21	JSG96-221	Follow Roller		1
22	BB-6201ZZ	Ball Bearing		2
23	JSG96-223	C-Ring	STW-11	2
24	JSG96-224	Shaft		1
25	JSG96-225	Bushing		1
26	TS-0680041	Flat Washer	3/8	1
27	JSG96-227	Lock Nut	3/8	1
28	JSG96-228	Roll Pin	4x20	1
29	JSG96-229	Support Bracket		1
30	JSG96-230	Micro-Adjusting Seat		1
31	TS-0207021	Hex Socket Cap Screw	1/4x1/2	6
32	JSG96-232	Screw		1
33	JSG96-233	Adjusting Knob		1
34	JSG96-234	Spring		1
35	JSG96-235	Lock Nut	M6	1
36	JSG96-236	Washer		2
37	JSG96-237	Disc Spring		2
38	JSG96-238	Lock Handle		1
39	JSG96-239	Roll Pin	3x20	1
40	JSG96-240	Spring		1
41	JSG96-241	Eccentric Handle		1
42	JSG96-242	Hex Socket Cap Screw	1/4x1-1/4	1
43	JSG96-243	Lock Nut	1/4	2
44	JSG96-244	Air Controller (Belt)		1
45	JSG96-245	Dust Chute		1
46	JSG96-246	Wing Screw	1/4x1/2	1
47	JSG96-247	Flat Washer	1/4x3/4	3
48	JSG96-248	Back Cover		1
49	JSG96-249	Sanding Belt		1
50	JSG96-250	Belt Table		1
51	JSG96-251	Trunnion		2
52	TS-0050021	Hex Socket Cap Screw	1/4x5/8	2
53	JSG96-253	Guide Pin		2

Index No.	Part No.	Description	Size	Qty.
54	TS-0561011	Hex Nut	1/4	2
55	JSG96-255	Set Screw	1/4x3/4	2
56	JSG96-256	Lock Handle*	5/16x1-1/4	2
57	JSG96-257	Graphite Pad		1
58	JSG96-155	Indication Label		1
59	JSG96-259	Loosen/Tighten Label		1
60	JSG96-260	Flat Washer	1/4x9/16x1/8	2
61	JSG96-261	Serrated Plate		2
62	JSG96-262	Phillips Tap Screw	M3x10	4
63	JSG96-263	Lock Washer	1/4	1
64	JSG96-264	Set Screw	1/4x1-1/2	1
	JSG96-HK	Hardware Kit (Includes items marked with *, and a 6mm hex wrench)		

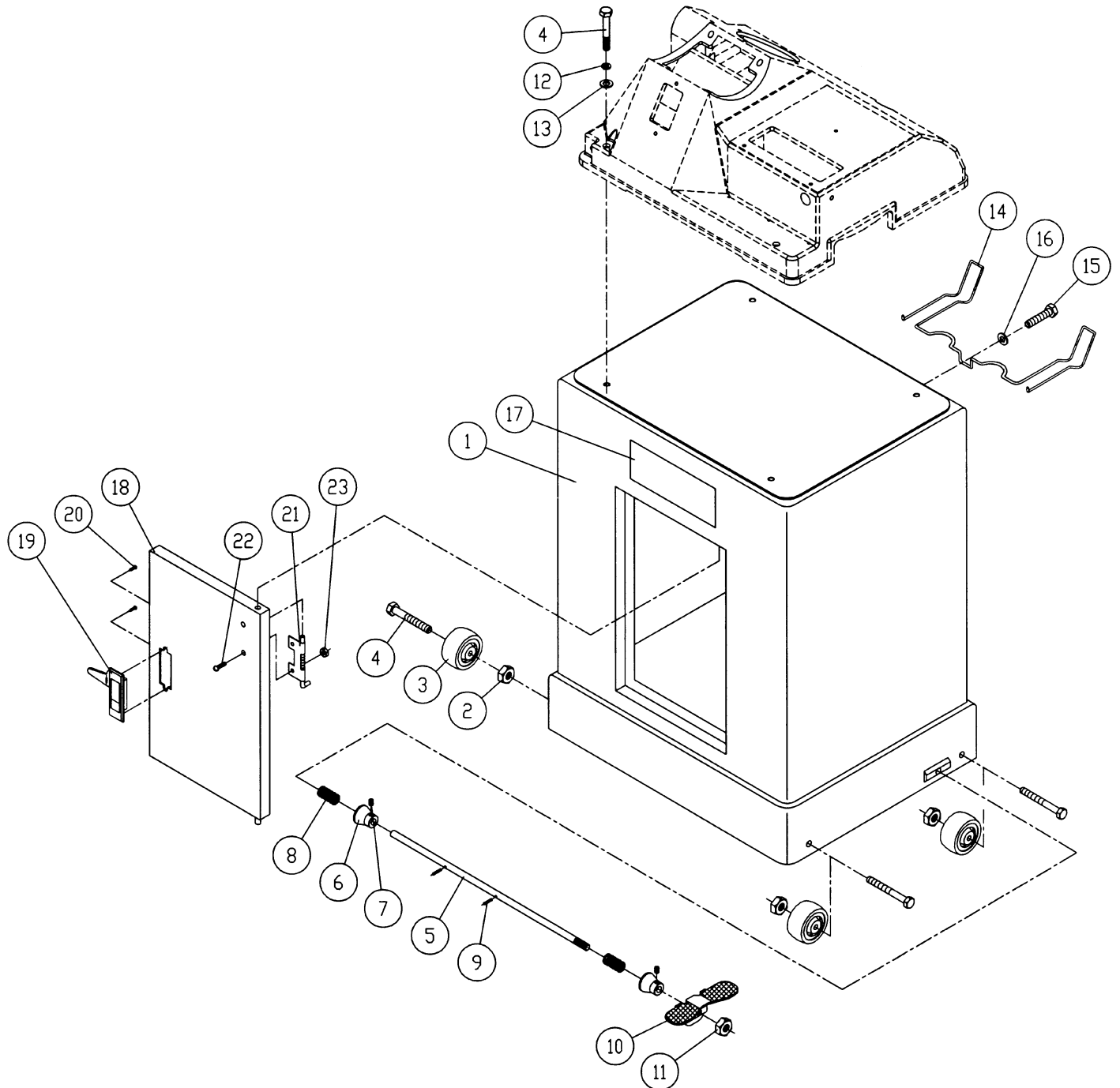
Open Stand Breakdown



JSG-96 Open Stand Assembly

Index No.	Part No.	Description	Size	Qty.
1	JSG96-401	Stand Top (front and rear, short)		2
2	JSG96-402	Stand Top (left and right, long)		2
3	JSG96-403	Stand Leg w/Tool Holder		2
4	JSG96-404	Stand Leg		2
5	JSG96-405	Carriage Bolt*	5/16x5/8	16
6	JSG96-406	Lock Nut w/Flange*	5/16	16
7	JSG96-407	Leveling Pad*		4
8	TS-0561031	Hex Nut*	3/8	13
9	TS-0680041	Flat Washer*	3/8	17
10	TS-0060131	Hex Head Screw*	3/8x3	4
11	JSG96-314	Tool Shelf		1
12	JSG96-316	Flat Washer*	3/8x1-1/8	1
13	TS-0060031	Hex Head Screw*	3/8x3/4	1
14	TS-0720091	Lock Washer*	3/8	4
	JSG96-HKA	Hardware Kit for Open Stand (includes items marked with *)		

Closed Stand Breakdown



Closed Stand Assembly

Index No.	Part No.	Description	Size	Qty.
1	JSG96-301	Base		1
2	JSG96-302	Lock Nut	3/8	4
3	PJE-S05	Wheel		4
4	JSG96-304	Hex Head Screw*	3/8x2-1/2	8
5	JSG96-305	Shaft		1
6	PJN-S04	Eccentric Cam		2
7	JSG96-307	Set Screw	M6x10	2
8	JSG96-308	Spring		2
9	JSG96-309	Roll Pin	4x16	2
10	PJN-S02	Foot Brake		1
11	JSG96-311	Lock Nut	M10x1.5	1
12	TS-0720091	Lock Washer*	3/8	4
13	TS-0680041	Flat Washer*	3/8	4
14	JSG96-314	Tool Shelf		1
15	TS-0060031	Hex Head Screw*	3/8x3/4	1
16	JSG96-316	Washer*	3/8x1-1/8	1
17	JSG96-317	JET Plaque		1
18	JSG96-318	Door		1
19	JSG96-319	Latch		1
20	JSG96-320	Screw	M3	2
21	JSG96-321	Door Pivot		1
22	JSG96-127	Screw	1/4x3/8	2
23	TS-0561011	Hex Nut	1/4	2
	JSG96-HKB	Hardware Kit for Closed Stand (includes items marked with *)		

JET[®]

WMH Tool Group
 2420 Vantage Drive
 Elgin, Illinois 60123
 Phone: 800-274-6848
www.wmhtoolgroup.com