

JET

22-44 OSC DRUM SANDER

22-44OSC.....659006KM.....1~230V, 50Hz

PARTS LIST

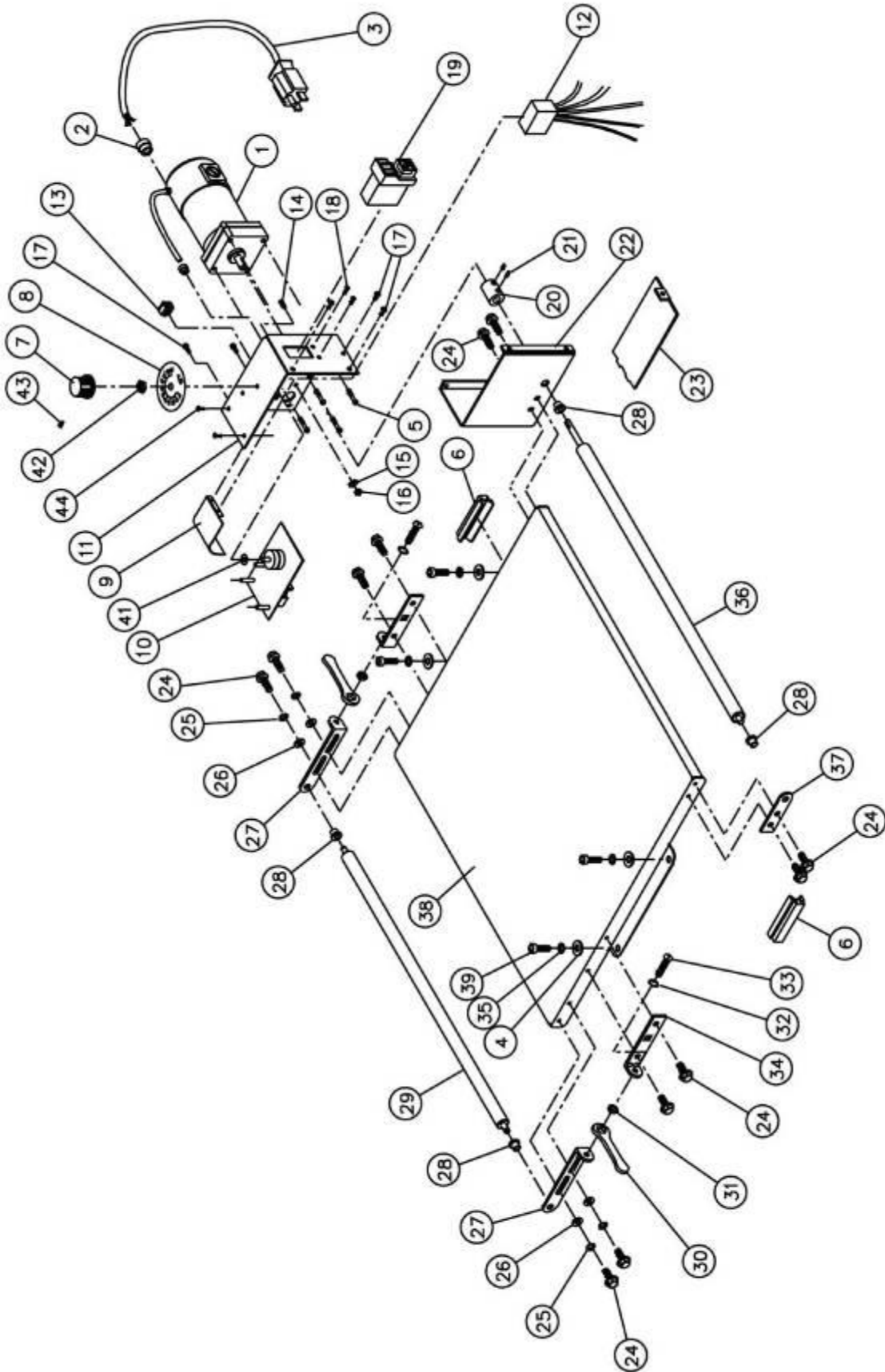
Walter Meier (TOOL) AG
Tämperlistrasse 5
CH-8117 Fällanden
Switzerland
Phone +41 44 806 47 48
Fax +41 44 806 47 58
jetinfo.eu@waltermeier.com
www.jettools.com



P-659006KM

2011-05

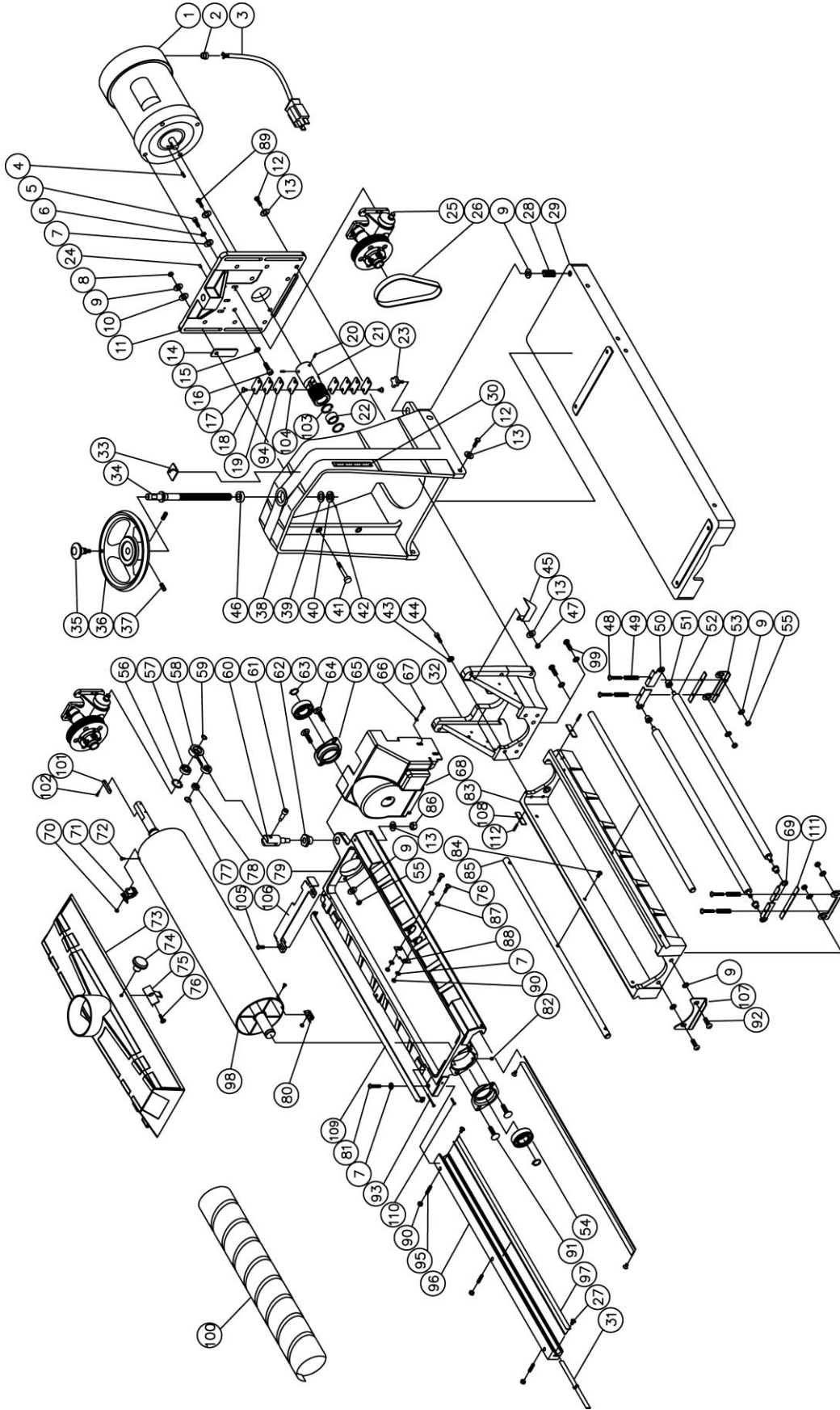
22-44 OSC Conveyor And Motor Assembly



OSC Conveyor And Motor Assembly

Index No.	Part No.	Description	Size	Qty.
1	71-1400E	Gear Motor	180 Volt DC	1
2	72-6014E	Strain Relief		1
3	72-5336E	Cord Set		1
4	TS-0680031	Flat Washer	5/16	4
5	10-4010-08	Socket Head Cap Screw	#10-32x1/2"	4
6	98-0080A	Tracker Kit		2
7	72-2250-01	Knob		1
8	72-2250-02	Label, Speed Adjusting		1
9	40-4018	Guard, wiring		1
10	72-2250E	SandSmart Controller	230V	1
11	40-4904E	Bracket, Housing- Controller		1
12	2244PLUS-112E	EMC, in Control Housing		1
13	72-2111-02E	Receptacle		1
14	TS-081D022	Pan Head Machine Screw	#10-32x1/2"	1
15	TS-073203	Washer, Lock. Int.-Tooth Washer	#10	1
16	TS-0560081	Hex Nut	#10-32	1
17	10-9002	Screw, Hex Head-Slotted	#10-32x1/2"	5
18	10-3103	Screw, Phil Pan Head	#6-32x1/2	2
19	72-2004E	Switch, ON/OFF-Drum		1
20	30-0122	Coupler, Shaft		1
21	10-4010-04	Set Screw	1/4-20x1/4"	2
22	40-4903	Bracket, Base- Controller		1
23	40-4022W	Cover, Base-Control Housing		1
24	10-4004-12	Bolt, Hex Washer Head	1/4-20x3/4"	12
25	20-1161-01	Washer, Wave	1/4"	4
26	11-1002-04	Flat Washer	1/4"	4
27	40-0003	Bracket, Take Up-Slide		2
28	50-3105	Bushing, Oilite 5/16" I.D.		4
29	30-3010-10	Roller, Driven		1
30	40-0260	Wrench		2
31	12-2000-04	Hex Nut	1/4-20	2
32	11-1000-04	Washer, Lock-Int Tooth	1/4"	2
33	10-4007-24	Screw, Round Head- Slotted	1/4-20x1 3/4"	2
34	40-4004	Bracket, Take Up-Base		2
35	TS-0720081	Lock Washer	5/16	4
36	30-3010-11	Roller, Driven-Rubber Covered		1
37	40-0005	Bracket, Support-Drive Roller		1
38	40-4010-01	Bed, Conveyor		1
39	TS-0208041	Socket Head Cap Screw	5/16-18x3/4"	4
40	60-0322-P	Belt Conveyor (Not Shown)		1
41	72-2250-03	Washer, Flat	5/16	1
42	72-2250-04	Nut, Hex	5/16-24	1
43	72-2250-05	Slotted Set Screw	#8-36UNFx5/16	1
44	20-0777	Pan Head Self-Tapping Screw	5/32x1/2	1

22-44 OSC Drum Head Assembly



22-44 OSC Drum Head Assembly

Index No.	Part No.	Description	Size	Qty.
1	70-4102EA	Motor	1-3/4HP, 230V	1
	70-4102MF	Motor Fan (not shown)		1
	70-4102MFC	Motor Fan Cover (not shown)		1
	70-4102CSE	Centrifugal Switch (not shown)		1
	70-4102SC	Starting Capacitor (not shown)	125VAC, 300MFD	1
	70-4102RC	Running Capacitor (not shown)	250VAC, 45µF	1
	70-4102SCC	Starting Capacitor Cover (not shown)		1
	70-4102RCC	Running Capacitor Cover (not shown)		1
	70-4102JB	Junction Box (not shown)		1
	70-4102JBC	Junction Box Cover (not shown)		1
2	72-6104E	Strain Relief		1
3	72-5345E	Cord, Motor to Control Box		1
4	20-0762-02	Key	3/16"x3/16"x3/4"	1
5	TS-0207061	Socket Head Cap Screw	1/4"-20x1"	6
6	TS-0720071	Lock Washer	1/4"	6
7	TS-0680021	Flat Washer	1/4"	6
8	TS-0640082	Nylon Insert Lock Nut	5/16"-24	4
9	TS-0680031	Flat Washer	5/16"	4
10	50-3090-01	Oilite Washer		4
11	2244OSC-111	Motor Plate		1
12	TS-0060061	Hex Cap Screw	3/8"-16x1-1/4"	5
13	TS-0680041	Flat Washer	3/8"	7
14	2244OSC-114	Oilite Plate		4
15	TS-0720091	Lock Washer	3/8"	4
16	TS-0209061	Socket Head Cap Screw	3/8"-16x1-1/4"	4
17	2244OSC-117A	Shoulder Screw		4
18	2244OSC-118	Plate		2
19	2244OSC-119	PU Buffer		2
20	TS-0270031	Set Screw	5/16"-18x3/8"	4
21	2244OSC-121A	Coupler		1
22	2244OSC-122	Needle Bearing		1
23	80-3138	Fine Tune Adjustment Knob		1
24	2244OSC-124	Set Screw	#10-24x3/8"	4
25	2244OSC-GBA	Gearbox Assembly		1
26	2244OSC-126	Timing Belt		1
27	TS-081F021	Flat Head Machine Screw	1/4"-20x3/8"	4
28	20-3216	Spring		1
29	2244OSC-129	Base		1
30	94-2270E	Label, Depth Gauge	4"	1
31	2244OSC-131	Gib		1
32	2244OSC-132	Drum Carriage Head		1
33	94-1668E	Height Direction Label		1
34	30-9027	Height Adjustment Screw		1
35	80-3131	Knob		1
36	30-9028	Height Adjustment Handwheel		1
37	TS-0270051	Set Screw	5/16"-18x1/2"	2
38	30-9023	Shroud		1
39	80-2324	Washer, Flat-Nylon	5/8" I.D.	1
40	20-1180-02	Collar, Locking Shaft		1
41	30-9026	Stud	5/16"-24x1-3/4"	4
42	TS-0270011	Set Screw	5/16"-18x1/4"	2

22-44 OSC Drum Head Assembly

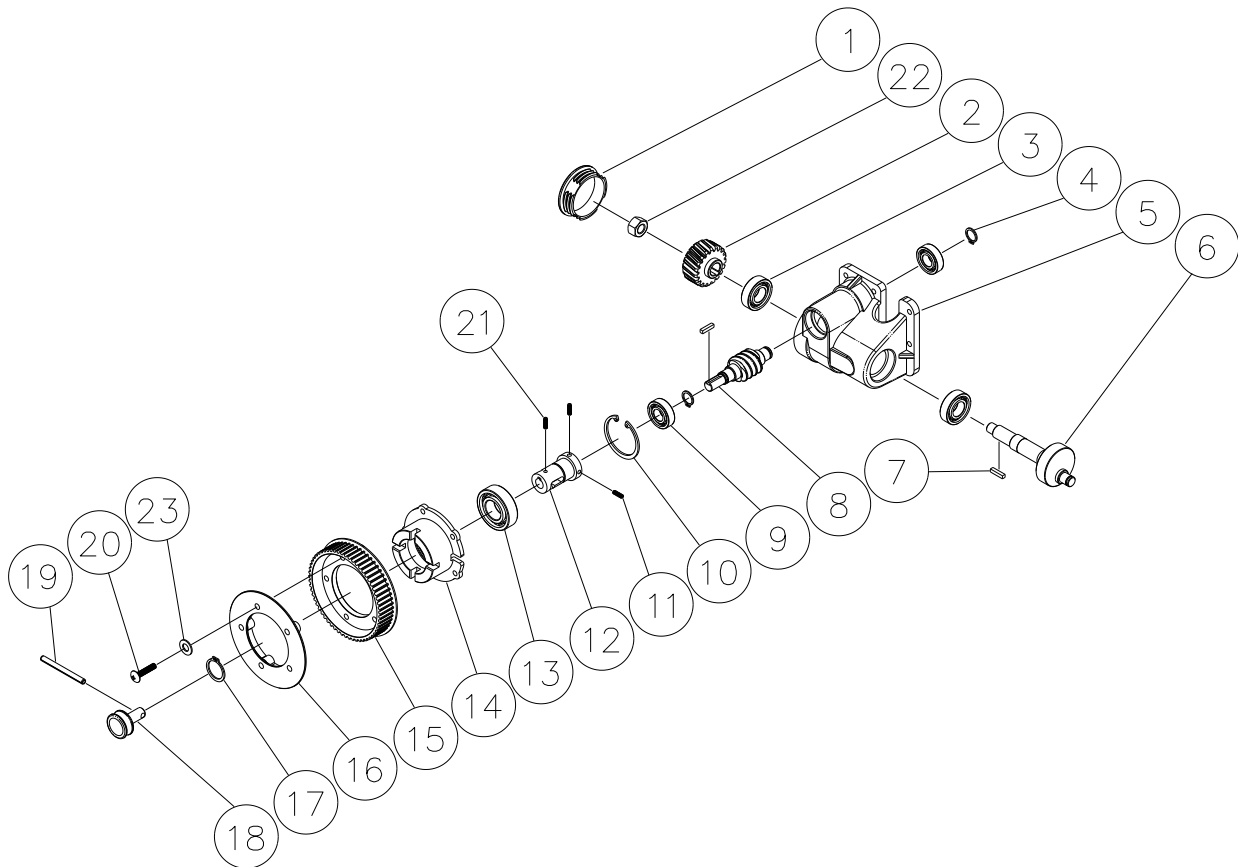
Index No.	Part No.	Description	Size	Qty.
43	TS-0720081	Lock Washer	5/16"	4
44	TS-0208061	Socket Head Cap Screw	5/16"-18x1"	4
45	40-3169	Depth Gauge Pointer		1
46	50-9000	Thrust Bearing	51103	1
47	TS-0561031	Hex Nut	3/8"-16	1
48	10-4008-16	Screw, Fillister Head-Phillips	#8-32x1	4
49	20-3211	Spring, Tension Roller		4
50	2244OSC-150	Bracket, Right Tension Roller		2
51	50-3105	Bushing, Oilite	5/16" I.D.	4
52	2244OSC-152	Tension Roller		2
53	2244OSC-153	Bracket		2
54	BB-6205VV	Ball Bearing	6205VV	2
55	TS-0561021	Hex Nut	5/16"-18	4
56	2244OSC-156	Retaining Ring		1
57	BB-6000ZZ	Ball Bearing	6000ZZ	1
58	2244OSC-158	Link		1
59	2244OSC-159	Retaining Ring		1
60	2244OSC-160	Bracket		1
61	2244OSC-161	Shoulder Screw		1
62	2244OSC-162	Thread Bushing		1
63	20-0778	Retaining Ring		2
64	TS-0152021	Carriage Bolt	5/16"-18x1-1/4"	2
65	2244OSC-165	Bearing Housing		2
66	TS-1550031	Flat Washer	M5	4
67	TS-1533032	Pan Head Machine Screw	M5x10	4
68	2244OSC-168E	Gearbox Cover		1
69	2244OSC-169	Bracket, Left Tension Roller		2
70	12-9001	Nylon Insert Lock Nut	#6-32	2
71	21-1172	Fastener, Abrasive Inboard		1
72	10-3003	Screw, Flat Head-Phillips	#6-32x3/8	2
73	2244OSC-173E	Dust Cover		1
74	80-3137	Knob		1
75	2244OSC-175	Dust Cover Latch		1
76	TS-081F052	Pan Head Machine Screw	1/4"-20x3/4"	3
77	2244OSC-177	Retaining Ring		1
78	2244OSC-178	Bearing	688ZZ	1
79	2244OSC-179E	Upper Sliding Drum Carriage		1
80	21-1173	Fastener, Abrasive Outboard		1
81	TS-0254061	Button Head Socket Screw	1/4"-20x1"	3
82	TS-0267021	Set Screw	1/4"-20x1/4"	1
83	2244OSC-183	Lower Fixed Drum Carriage		1
84	TS-0254041	Button Head Socket Screw	1/4"-20x3/4"	6
85	2244OSC-185	Shaft		2
86	TS-0640091	Nylon Insert Lock Nut	3/8"-16	1
87	TS-0732041	Internal Tooth Lock Washer	1/4"	2
88	40-3166	Dust Cover Catch		1
89	TS-0060081	Hex Cap Screw	3/8"-16x1-3/4"	1
90	TS-0561011	Hex Nut	1/4"-20	2
91	TS-0152041	Carriage Bolt	5/16"-18x1-3/4"	2
92	TS-0255061	Button Head Socket Screw	5/16"-18x1"	2
93	2244PLUS-254	Hinge Pin		2
94	2244OSC-194	Shaft Shield Plate		2

22-44 OSC Drum Head Assembly

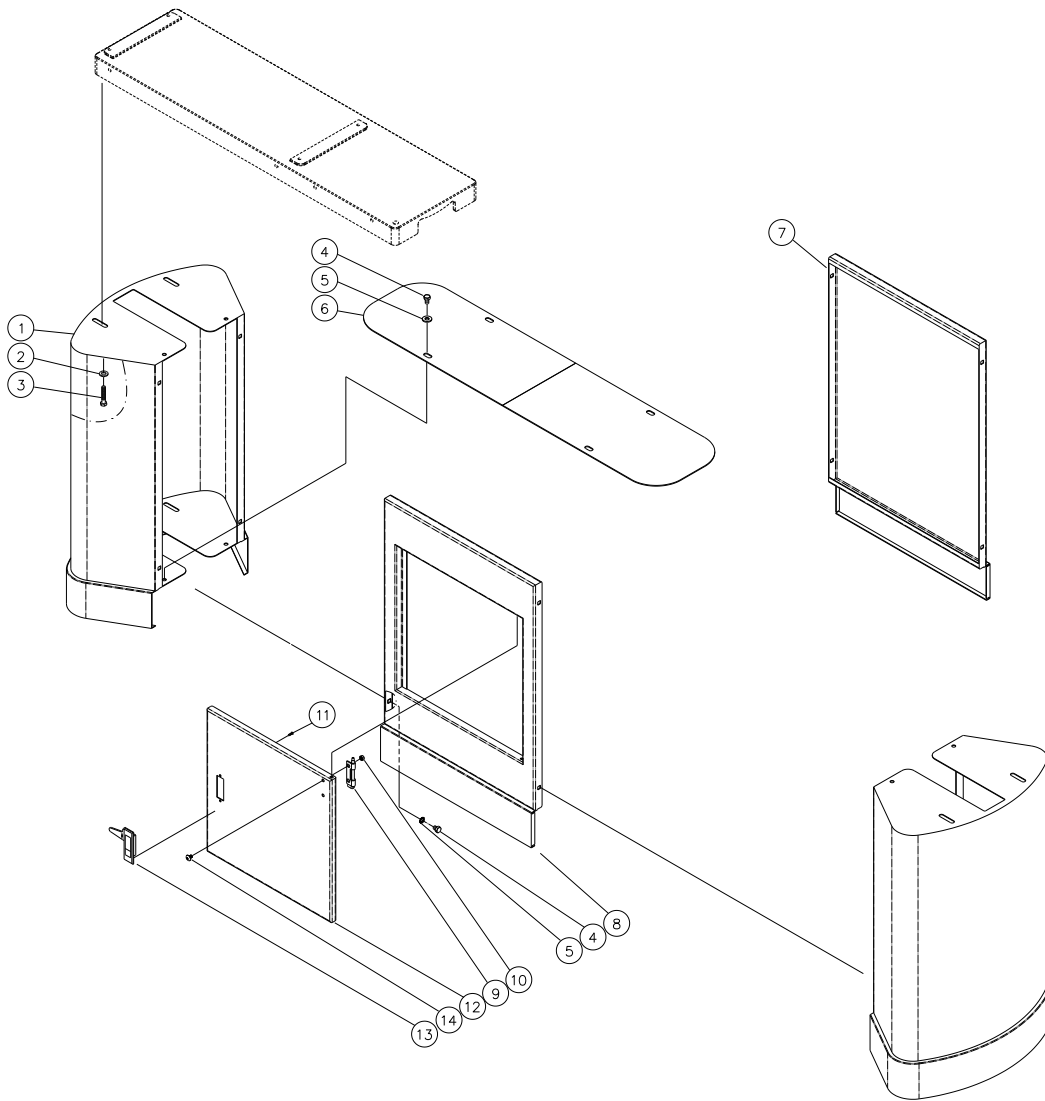
Index No.	Part No.	Description	Size	Qty.
95	TS-0267071	Set Screw	1/4"-20x3/4"	3
96	2244OSC-196	Holder		1
97	2244OSC-197	Gib		4
98	2244OSC-198A	Sanding Drum		1
99	2244OSC-199	Button Head Socket Screw	5/16"-18x1-1/4"	2
100	2244OSC-1100	Abrasive		1
101	2244OSC-1101	Special Key	6x6x40mm	1
102	2244OSC-1102	Special Screw		2
103	2244OSC-1103	Retaining Ring		2
104	2244OSC-1104	Turcite Pad		2
105	2244OSC-1105	Socket Head Button Screw	1/4"-20x3/8"	2
106	2244OSC-1106	Front Shield		1
107	2244OSC-1107	Rear Shield		1
108	2244OSC-1108A	Plate		2
109	2244OSC-1109A	Shield Bracket		1
110	2244OSC-1110A	Socket Head Button Screw	3/16"-24x1"	2
111	80-1060	Pad, Bracket-Tension Roller		2
112	2244OSC-1112	Pin		2
	98-0060	TUF Tool (not shown)		1
	1632-102E	Running Direction Label (Not Shown)		1
	2244OSC-1111	Left Warning Label, On Drum Carriage (Not Shown)		2
	2244OSC-1112	Right Warning Label, On Dust Cover (Not Shown)		2
	1632-104E	Warning Label, On Dust Cover (Not Shown)		1
	22-44OSC-PK	Plate Kit, (includes index #17,18,19, 94,101,102,104)		1

22-44 OSC Gearbox Assembly

Index No.	Part No.	Description	Size	Qty
.....	2244OSC-GBA	Gearbox Assembly(index #1 - #23)	1
1	2244OSC-201	Rubber Cover	1
2	2244OSC-202	Gear	1
3	BB-6002ZZ	Ball Bearing	6002ZZ	2
4	2244OSC-204	Retaining Ring	2
5	2244OSC-205	Gearbox	1
6	2244OSC-206	Eccentric Shaft	1
7	2244OSC-207	Key	4x4x18	2
8	2244OSC-208	Worm	1
9	BB-6001ZZ	Ball Bearing	6001ZZ	2
10	2244OSC-210	Retaining Ring	1
11	2244OSC-211	Set Screw	#10-24x1/4	2
12	2244OSC-212	Clutch Bushing	1
13	BB-6004ZZ	Ball Bearing	6004ZZ	1
14	2244OSC-214	Pulley Base	1
15	2244OSC-215	Pulley	1
16	2244OSC-216	Pulley Shield	1
17	2244OSC-217	Retaining Ring	1
18	2244OSC-218	Clutch Knob	1
19	2244OSC-219	Pin	1
20	2244OSC-220	Screw	#10-24x7/8	5
21	2244OSC-221	Set Screw w/Steel Ball	M4x9	1
22	TS-0640091	Nylon Insert Lock Nut	3/8-16	1
23	TS-0680011	Flat Washer	3/16	5



22-44 OSC Closed Stand Assembly



Index No.	Part No.	Description	Size	Qty.
.....	659006S	Closed Stand Assembly
1	2244OSC-301	Stand Side	2
2	TS-0680041	Flat Washer	3/8	4
3	TS-0060051	Hex Cap Screw	3/8-16x1	4
4	TS-0051011	Hex Cap Screw	5/16-18x1/2	12
5	TS-0680031	Flat Washer	5/16	12
6	2244OSC-306	Bottom Plate	1
7	2244OSC-307	Rear Plate	1
8	2244OSC-308	Front Plate	1
9	80S-416	Door Hinge	1
10	TS-0561011	Hex Nut	1/4-20	2
11	80S-413	Screw	M3x4	2
12	2244OSC-312	Door	1
13	80S-414	Latch	1
14	TS-081F032	Pan Head Machine Screw	1/4-20x1/2	2

22-44OSC.....659006KM.....1~230V, 50Hz

	colour of strands	Litzenfarben	couleur des cordons
BK	black	schwarz	noir
WH	white	weiß	blanc
BU	blue	blau	bleu
YE	yellow	gelb	jaune
RD	red	rot	rouge
BN	brown	braun	brun
GY	grey	grau	gris
GNYE	green-yellow	grün-gelb	vert-jaune
OG	orange	orange	orange
VT	violet	violett	violet

	meaning of symbol	Bedeutung der Zeichen	interprétation
M	motor	Motor	moteur
S	switch	Schalter	interrupteur
C	condenser	Kondensator	condensateur
E	electronic unit	Elektronik Einheit	unité électronique
F	fuse	Sicherung	fusible
RS	reversing switch	Drehrichtungsschalter	commu. droite/gauche
CS	centrifugal switch	Fliehkraftschalter	déclencheur centrifuge
OL	overload cut-off	Überlastschutzschalter	déclencheur surcharge
LS	limit switch	Positionsendschalter	micro

